

# 射频同轴连接器

## RF Coaxial Connector



诚信 简单 创新 融合

连接有我 沟通无限



吴通控股集团股份有限公司

江苏吴通物联科技有限公司

Wutong Holding Group Co., Ltd.

Jiangsu Wutong Interconnect Technology Co., Ltd.

## 公司简介

### Company Profile



吴通控股集团股份有限公司成立于1999年6月22日，位于江苏省苏州市相城区太东路2596号，注册资本13.4亿元。公司于2012年2月29日在深圳证券交易所创业板上市，股票代码300292。公司专注于互联网和通信领域的技术研发与设备制造，主营业务有互联网信息服务、移动通信终端设备、通信互连器件三大类。

吴通物联科技有限公司为吴通控股集团全资子公司，专注于通信领域连接技术，从事无线通信射频连接系统研发、生产及销售，是国内领先的通信射频连接系统专业供应商。通信连接系统产品主要用于通信运营商、通信设备商的通信基站天馈系统和室内分布射频网络连接系统等。公司围绕通信运营商、通信设备商的客户需求，采取“在连接系统细分行业精耕细作下，不断创新技术研发能力和工艺能力，核心产品的关键工序自制、部分工序技术输出式外协相结合”的运营模式，通过持续优化供应链管理，确保综合成本优势和质量优势，在细分市场里保持领先地位，形成了公司控制和管理下的无线通信领域射频连接系统供应的整套服务体系。

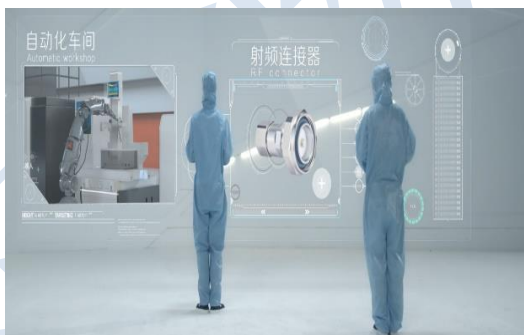
Wutong Holding Group Co., Ltd. established on June 22nd, 1999, is located at No. 2596, Taidong Road, Xiangcheng District, Suzhou City, Jiangsu Province, with a registered capital of 13.4 billion yuan. The company was listed on GEM of Shenzhen Stock Exchange on February 29, 2012, with the stock code of 300292. The company focuses on technology R & D and equipment manufacturing in the field of Internet and communication. Its main businesses include Internet information services, mobile communication terminal equipment and communication interconnection devices.

Jiangsu Wutong Interconnect Technology Co., Ltd., a wholly-owned subsidiary of Wutong holding group, focuses on the connection technology in the communication field and is engaged in the R&D, production and sales of wireless communication RF connection system. It is a leading professional supplier of communication RF connection system in China. Communication connection system products

# 射频同轴连接器

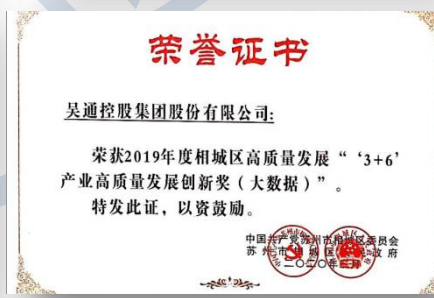
## RF Coaxial Connector

are mainly used for communication base station antenna feeder system and indoor distributed RF network connection system of communication operators and communication equipment manufacturers. Focusing on the customer needs of communication operators and communication equipment manufacturers, the company adopts the operation mode of "continuous innovation of technology R&D capability and process capability, self-made key processes of core products and combination of export outsourcing of some process technologies under the intensive cultivation of connection system segmentation industries", and continuously optimizes supply chain management to ensure comprehensive cost advantage and quality advantage, It maintains a leading position in the market segment and forms a complete service system for the supply of RF connection system in the field of wireless communication under the control and management of the company.



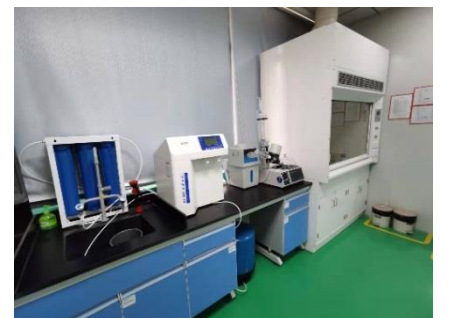
### 公司资质

### Company Qualification



# 实验检测中心

Testing center



## 生产规模

Production Scale



## 目录 TABLE OF CONTENTS

<b>毫米波转接器 Millimeter wave adaptors</b> .....	4
1.85 型系列测试转接器 1.85 series test adaptors	
2.4 型系列测试转接器 2.4 series test adaptors	
2.92 型系列测试转接器 2.92 series test adaptors	
3.5 型系列测试转接器 3.5 series test adaptors	
<b>精密测试转接器 Precison test adapter</b> .....	8
N/4.3-10 系列测试转接器 N/4.3-10 series test adaptors	
N/D 系列测试转接器 N/D series test adaptors	
4.3-10/D 系列测试转接器 4.3-10/D series test adaptors	
<b>通用转接器 Universal adaptors</b> .....	11
N/4.3-10 系列转接器 N/4.3-10 series adaptors	
N/D 系列转接器 N/D series adaptors	
4.3-10/D 系列转接器 4.3-10/Dseries adaptors	
D/D 系列转接器 D/D series adaptors	
<b>50 Ω 连接器 50Ω connectors</b> .....	14
SSMP .....	14
SMP .....	16
MMCX .....	20
MCX.....	23

SSMB.....	27
SMB.....	29
SMC.....	32
1.0-2.3.....	33
SSMA.....	34
SMA.....	36
BMA.....	48
ZSMP.....	50
TNC.....	55
BNC.....	58
POWER-SMP.....	61
2.2-5.....	64
N.....	65
LN.....	66
QN.....	68
4195.....	71
Q4195.....	73
4310.....	74
S7-16.....	75



7-16 .....	77
<b>多通道电缆组件 Multi-channel cable assembly .....</b>	<b>79</b>
L32 .....	80
L33 .....	81
MQ 电缆组件 MQ cable assembly .....	82
<b>快插类连接器 Fast Plug Connectors .....</b>	<b>83</b>
SMA 型快插连接器 Quick plug connectors model SMA	
N 型快插连接器 Quick plug connectors model N	
4.3-10 型快插连接器 Quick plug connectors model 4.3-10	
D 型快插连接器 Quick plug connectors model D	
<b>结构连接器 Structural Connectors .....</b>	<b>85</b>
Pogo Pin .....	86
<b>测试级电缆组件 Test Class Cable Assembly .....</b>	<b>88</b>
2.4 测试电缆组件 Type 2.4 test cable assembly	
2.92\3.5\ SMA 测试电缆组件 Type 2.92\3.5\ SMA test cable assembly	
N 型测试电缆组件 Type N test cable assembly	
<b>负载 Load .....</b>	<b>91</b>
SMAM 负载 SMAM load	
4195M 负载 4195M load	
4310M 负载 4310M load	


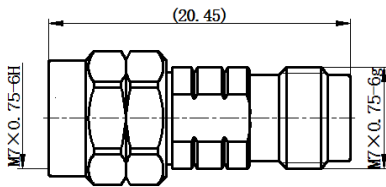

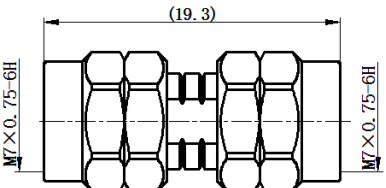

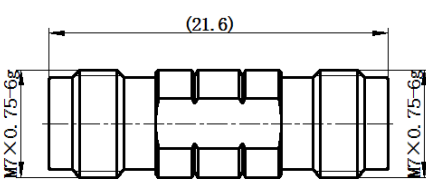

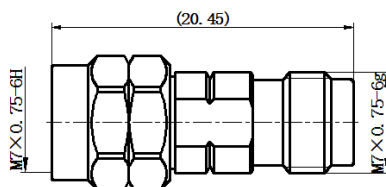
## 毫米波转接器 Millimeter wave adaptors

毫米波系列间转接器可实现不同系列的毫米波产品的对接互换，采用空气界面，具有体积小、重量轻、使用频率高的特点。1.85系列产品工作频率可达65GHz，界面与2.4系列连接器相兼容。2.92系列产品工作频率可达40GHz，可与3.5系列和SMA系列产品对接互换。广泛应用于精密测量领域和各类毫米波通讯设备中。

Millimeter wave series interchanger can realize the docking and exchange of millimeter wave products of different series. It adopts air interface and has the characteristics of small size, light weight and high frequency of use. The 1.85 series products operate at a frequency of up to 65GHz, and their interface is compatible with the 2.4 series connector. The operating frequency of 2.92 series products can reach 40GHz, which can be interchangeable with 3.5 series and SMA series products. It is widely used in precision measurement and all kinds of millimeter wave communication equipment.



### ◆ 部分产品型号外形参数 Partial Products Overall Specification

产品型号 Product No. 1.85M/1.85F	适配电缆 Matched cable -		
067/067-01			
产品型号 Product No. 1.85M/1.85M	适配电缆 Matched cable -		
067/067-02			
产品型号 Product No. 1.85F/1.85F	适配电缆 Matched cable -		
067/067-03			
产品型号 Product No. 2.4M/2.4F	适配电缆 Matched cable -		
064/067-01			

# 射频同轴连接器

## RF Coaxial Connector

产品型号	适配电缆
Product No.	Matched cable
2.4M/2.4M	-





064/064-02

产品型号	适配电缆
Product No.	Matched cable
2.4F/2.4F	-





064/064-03

产品型号	适配电缆
Product No.	Matched cable
2.92M/2.92F	-





065/065-01

产品型号	适配电缆
Product No.	Matched cable
2.92M/2.92M	-









065/065-02


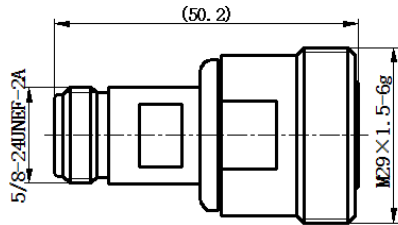

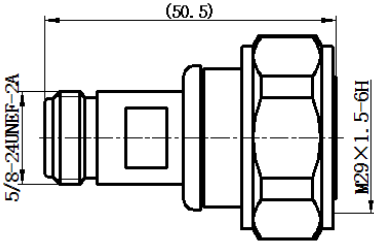
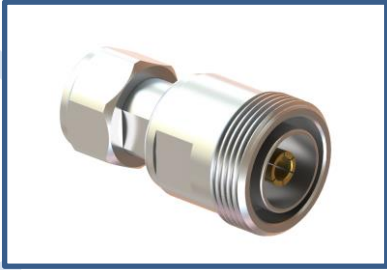
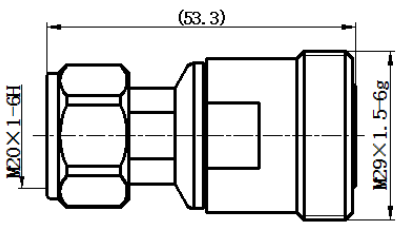

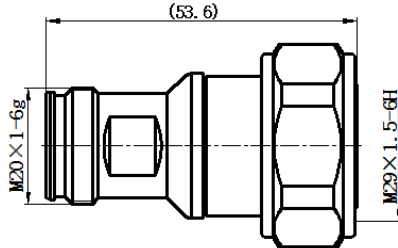
# 射频同轴连接器

## RF Coaxial Connector

产品型号 Product No. 2.92F/2.92F	适配电缆 Matched cable -		
065/065-03			
产品型号 Product No. 3.5M/3.5F	适配电缆 Matched cable -		
066/066-01			
产品型号 Product No. 3.5M/3.5M	适配电缆 Matched cable -		
066/066-02			
产品型号 Product No. 3.5F/3.5F	适配电缆 Matched cable -		
066/066-03			

## 精密测试转接器 Precision test adapter


### ◆ 部分产品型号外形参数 Partial Products Overall Specification

产品型号 Product No.	适配电缆 Matched cable		
NF/DF	-		
002/001-01			
产品型号 Product No.	适配电缆 Matched cable		
NF/DM	-		
002/001-02			
产品型号 Product No.	适配电缆 Matched cable		
4310M/DF	-		
073/001-01			
产品型号 Product No.	适配电缆 Matched cable		
4310F/DM	-		
073/001-02			

# 射频同轴连接器

## RF Coaxial Connector

产品型号	适配电缆
Product No.	Matched cable
4310M/DM	-



073/001-3



产品型号	适配电缆
Product No.	Matched cable
4310F/DF	-



073/002-04




产品型号	适配电缆
Product No.	Matched cable
NM/DF	-



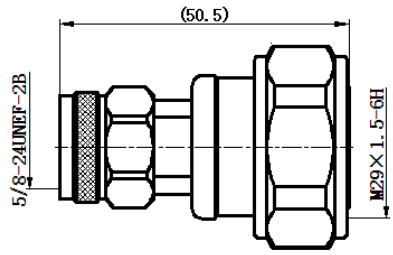
002/001-03



产品型号	适配电缆
Product No.	Matched cable
NM/DM	-




002/001-04



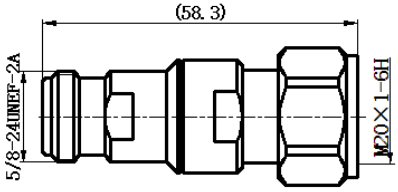
# 射频同轴连接器

## RF Coaxial Connector

产品型号	适配电缆
Product No.	Matched cable
NF/4310M	-



002/073-05



产品型号	适配电缆
Product No.	Matched cable
NM/4310F	-



002/073-06



产品型号	适配电缆
Product No.	Matched cable
NF/4310F	-



002/073-07



产品型号	适配电缆
Product No.	Matched cable
NM/4310M	-




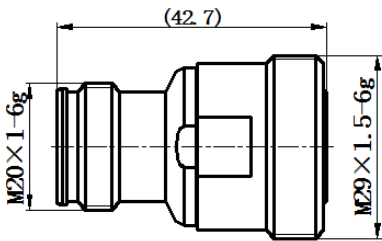
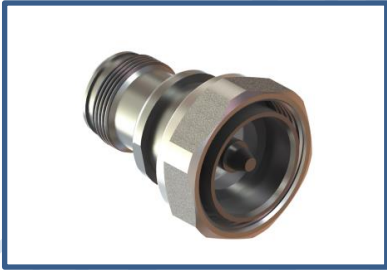
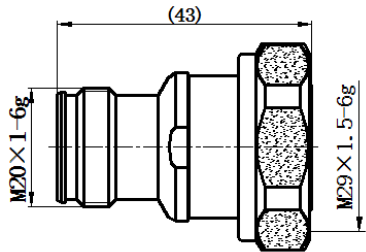

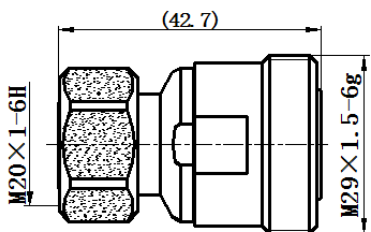
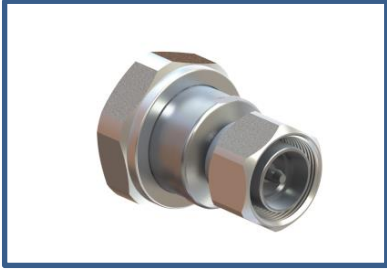
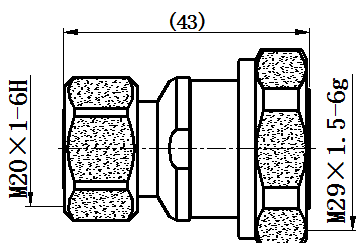
002/073-08






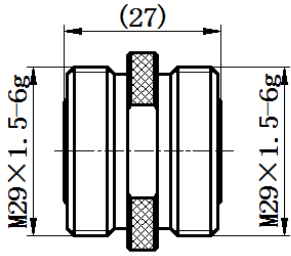

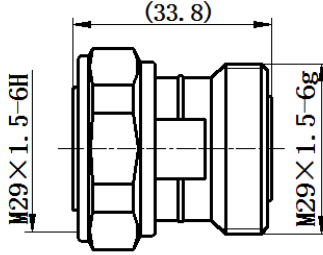

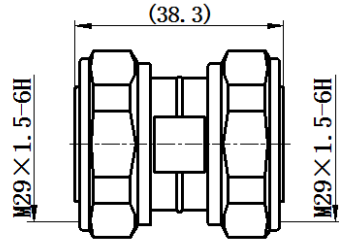

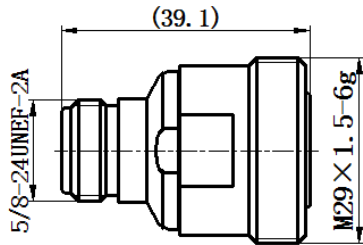
## 通用转接器 Universal adaptors

### ◆ 部分产品型号外形参数 Partial Products Overall Specification

产品型号 Product No.	适配电缆 Matched cable		
4310F/DF	-		
073/001-05			
产品型号 Product No.	适配电缆 Matched cable		
4310F/DM	-		
073/001-06			
产品型号 Product No.	适配电缆 Matched cable		
4310M/DF	-		
073/001-07			
产品型号 Product No.	适配电缆 Matched cable		
4310M/DM	-		
073/001-08			

# 射频同轴连接器

## RF Coaxial Connector

产品型号 Product No. DF/DF 001/001-01	适配电缆 Matched cable -		
产品型号 Product No. DM/DF 001/002-02	适配电缆 Matched cable -		
产品型号 Product No. DM/DM 001/001-03	适配电缆 Matched cable -		
产品型号 Product No. DF/NF 001/002-04	适配电缆 Matched cable -		

# 射频同轴连接器

## RF Coaxial Connector

产品型号	适配电缆
Product No.	Matched cable
DM/NF	-





001/002-05

产品型号	适配电缆
Product No.	Matched cable
DF/NM	-





001/002-06

产品型号	适配电缆
Product No.	Matched cable
DM/NM	-





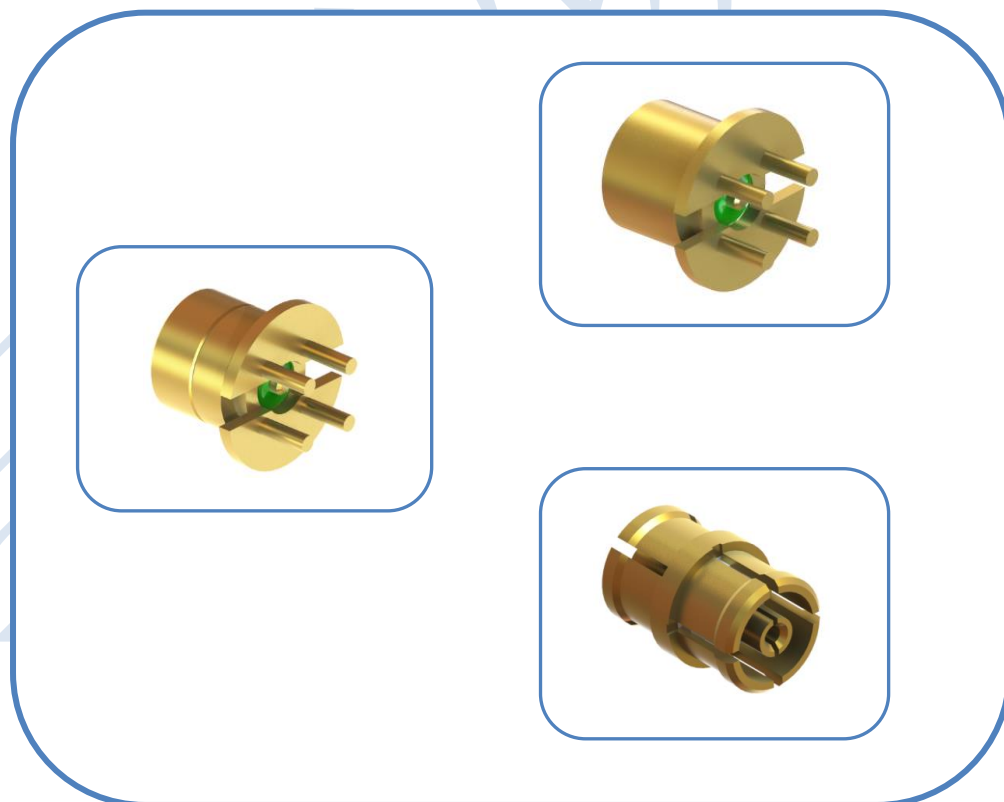
001/002-07

## 50 Ω 连接器 50Ω connectors

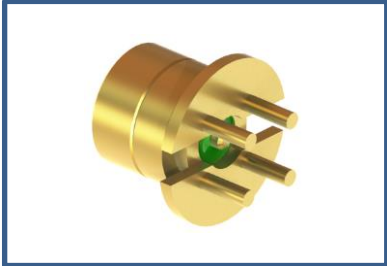
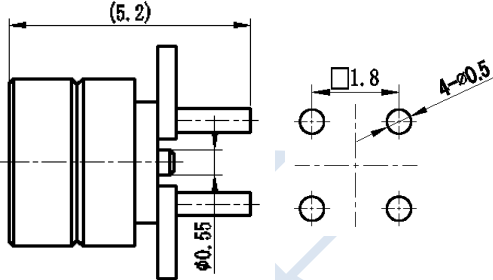
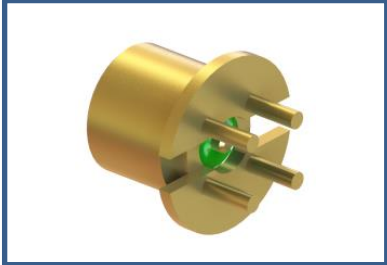
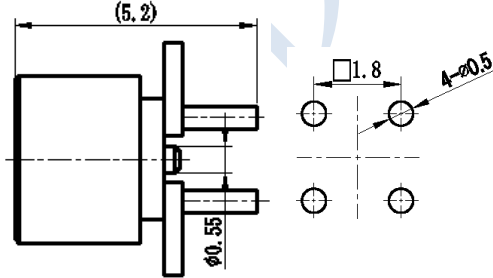

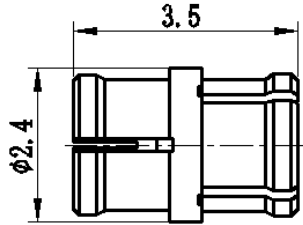
### SSMP 系列射频同轴连接器 SERIES SSMP RF. COAXIAL CONNECTORS

SSMP 型连接器是一种微型推入式盲插射频同轴连接器，使用频率最高可达 65GHz，适用于高密度及有盲插需求的产品应用，广泛应用于雷达、航空、航天等军工通讯领域中。

SSMP connector is a kind of micro push-in blind plug RF coaxial connector, the use of frequency up to 65GHz, suitable for high-density and blind plug requirements of product applications, widely used in radar, aviation, aerospace and other military communication fields.



### ◆ 部分产品型号外形参数 Partial Products Overall Specification

产品型号	适配电缆		
Product No.	Matched cable		
SSMPM-F-E(F)	-		
079-01			
SSMPM-F-E(S)	-		
079-02			
SSMPF/SSMPF	-		
079/079-03			

### SMP 系列射频同轴连接器


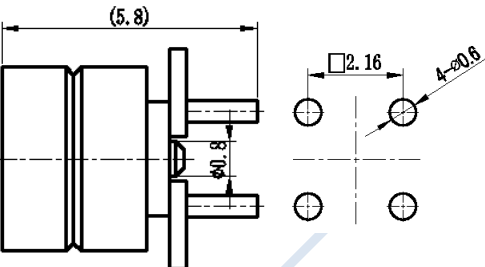

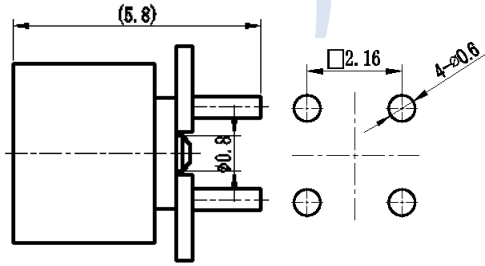

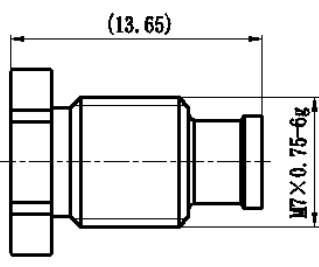

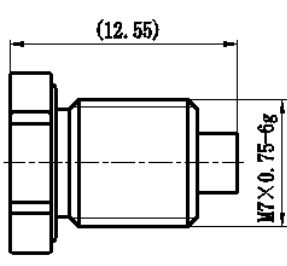
#### SERIES SMP RF. COAXIAL CONNECTORS

SMP 系列产品是一种超小型推入式盲插射频同轴连接器，具有体积小、重量轻、抗振性能优越、工作频带宽等特点，使用频率可达 40GHz，其中插头具有全擒纵 (F)，半擒纵 (L) 和光孔 (S) 三种界面形式。板间连接器成对使用时，允许在轴向和径向上有一定的失配量，适用于要求可靠性高模块化密集安装场合，广泛应用于雷达、航空、航天和民用通讯领域。

SMP series is a kind of ultra-small push-in RF coaxial connectors, featuring small size, light weight, excellent vibration resistance, wide operating band, etc. with a frequency of up to 40GHz, the plug full escapement (F), half escapement (L) and optical holes (S) three interface forms. Allow a certain amount of mismatch in axial and radial direction, suitable for modular intensive installation requiring high reliability, widely used in radar, aviation, aerospace and civil communication fields.



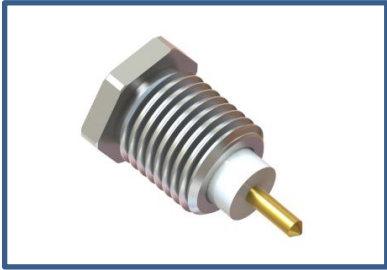
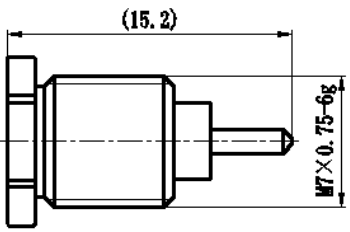
### ◆ 部分产品型号外形参数 Partial Products Overall Specification

产品型号 Product No. SMPM-F-E (F)	适配电缆 Matched cable -		
027-01			
产品型号 Product No. SMPM-F-E (S)	适配电缆 Matched cable -		
027-02			
产品型号 Product No. SMPM-H	适配电缆 Matched cable RG402		
027-03			
产品型号 Product No. SMPM-H	适配电缆 Matched cable RG405		
027-04			

# 射频同轴连接器

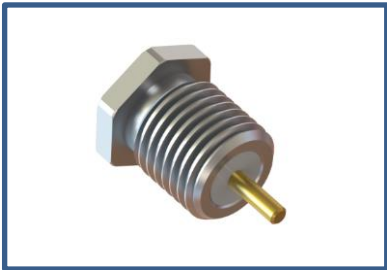
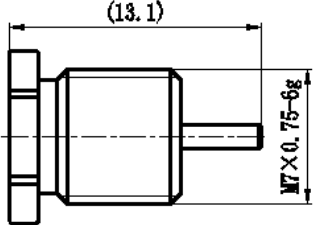
## RF Coaxial Connector

产品型号	适配电缆
Product No.	Matched cable
SMPM-Y-D	-

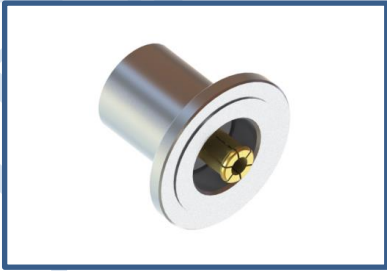
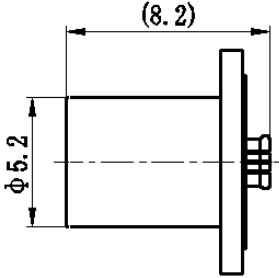
027-05

产品型号	适配电缆
Product No.	Matched cable
SMPM-Y-D	-

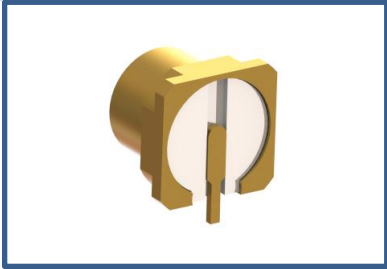
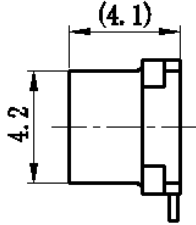
027-06

产品型号	适配电缆
Product No.	Matched cable
SMPM-D	-

027-07

产品型号	适配电缆
Product No.	Matched cable
SMPM-E	-

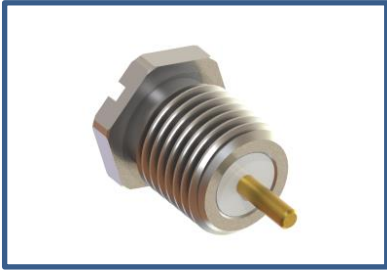
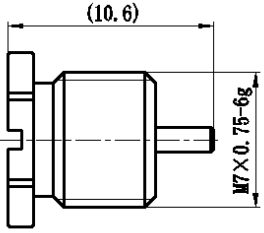

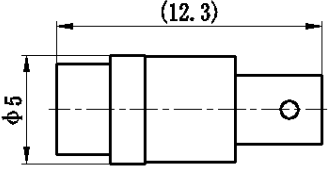
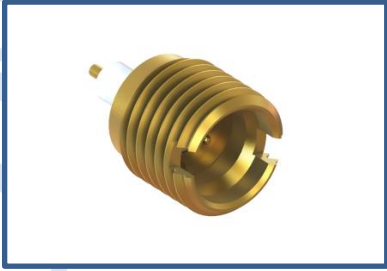
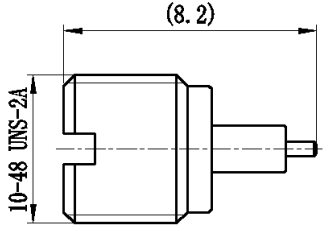

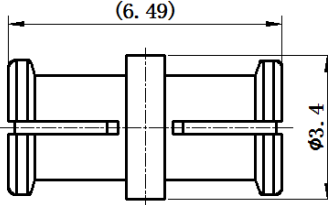



027-08



# 射频同轴连接器

## RF Coaxial Connector

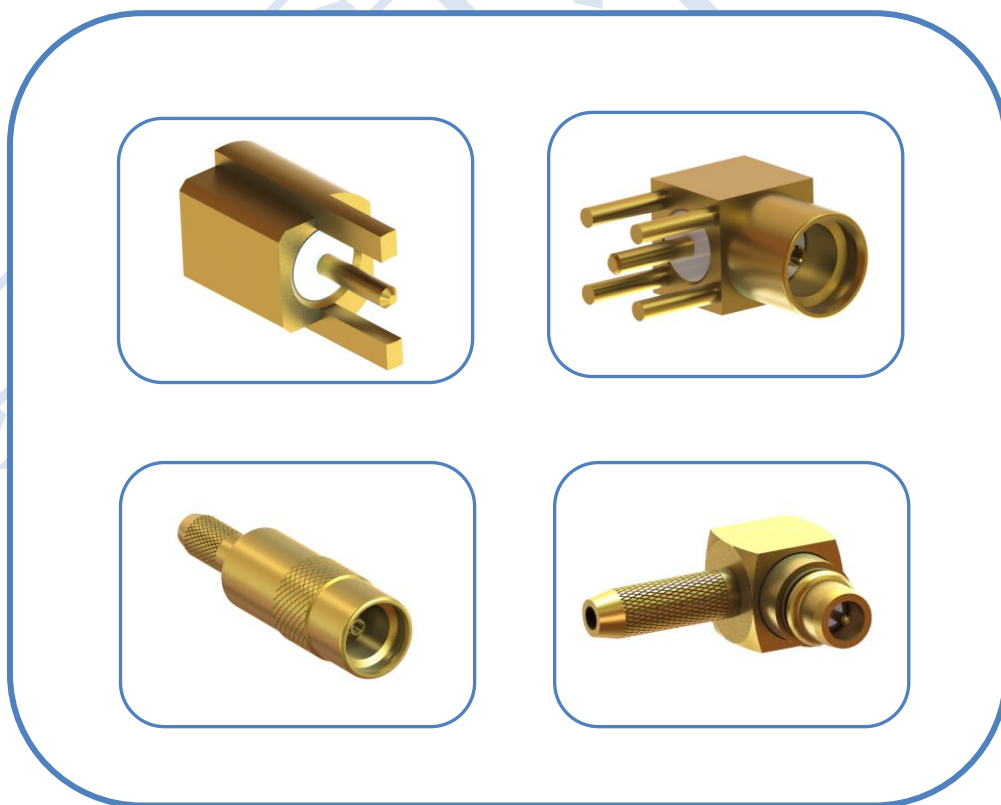
产品型号 Product No. SMPM-Y-D	适配电缆 Matched cable -		
027-09			
产品型号 Product No. SMPM-H	适配电缆 Matched cable RG405		
027-10			
产品型号 Product No. SMPM-Y-D	适配电缆 Matched cable -		
027-11			
产品型号 Product No. SMPF/SMPF	适配电缆 Matched cable -		
027/027-12			

### MMCX 系列射频同轴连接器


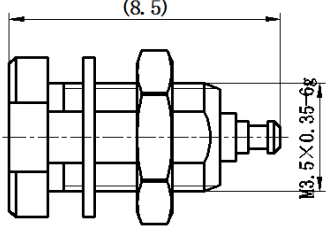

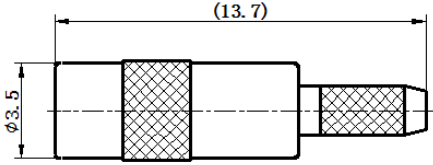
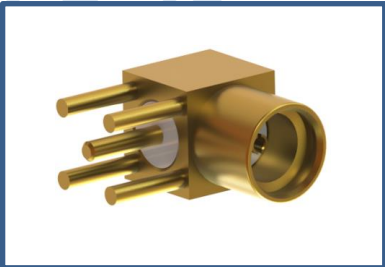
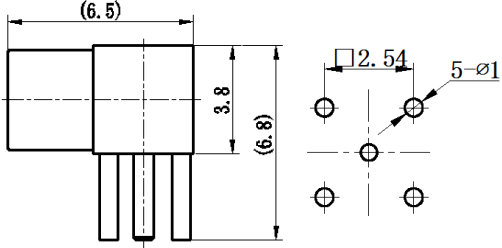
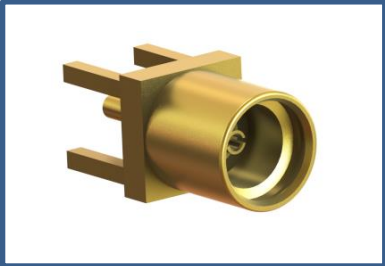
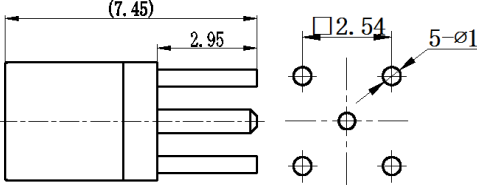
#### SERIES MMCX RF. COAXIAL CONNECTORS

MMCX 型射频同轴连接器是一种推入自锁式连接器，尺寸比 MCX 连接器小 30%，阻抗特性  $50\ \Omega$ 。它体积小、重量轻、连接方便可靠，可广泛用于 PCB 面板安装、表面安装以及对系统体积、重量都有要求的小型移动通讯、网络设备中。

MMCX type RF coaxial connector is a push-in self-locking connector, 30% smaller than MCX connector size, impedance characteristic  $50\ \Omega$ . It is small in size, light in weight, convenient and reliable in connection, and can be widely used in PCB panel installation, surface installation and small mobile communication and network equipment which have requirements on system volume and weight.



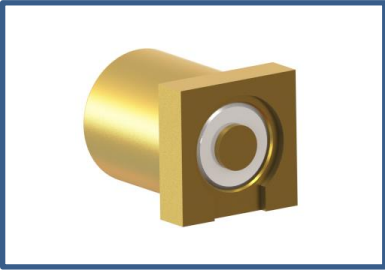
### ◆ 部分产品型号外形参数 Partial Products Overall Specification

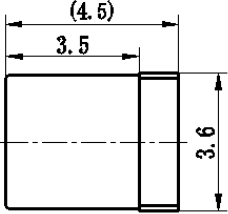
产品型号	适配电缆		
Product No.	Matched cable		
MMCXF-F-D	-		
014-01			
MMCXF-C	RG178		
014-02			
MMCXF-R-E	-		
014-03			
MMCXF-E	-		
014-04			

# 射频同轴连接器

## RF Coaxial Connector

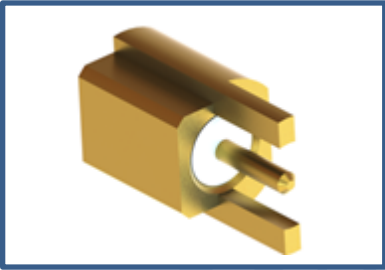
产品型号	适配电缆
Product No.	Matched cable
MMCXF-E	-





014-05

产品型号	适配电缆
Product No.	Matched cable
MMCXF-E	-





014-06

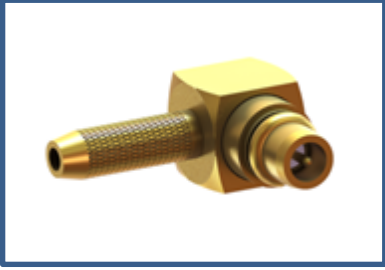
产品型号	适配电缆
Product No.	Matched cable
MMCXM-C	RG174

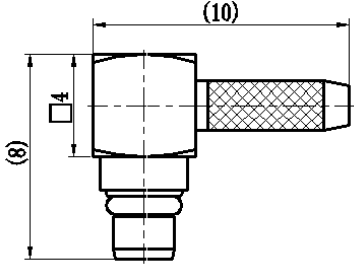




014-07

产品型号	适配电缆
Product No.	Matched cable
MMCXM-R-C	RG178





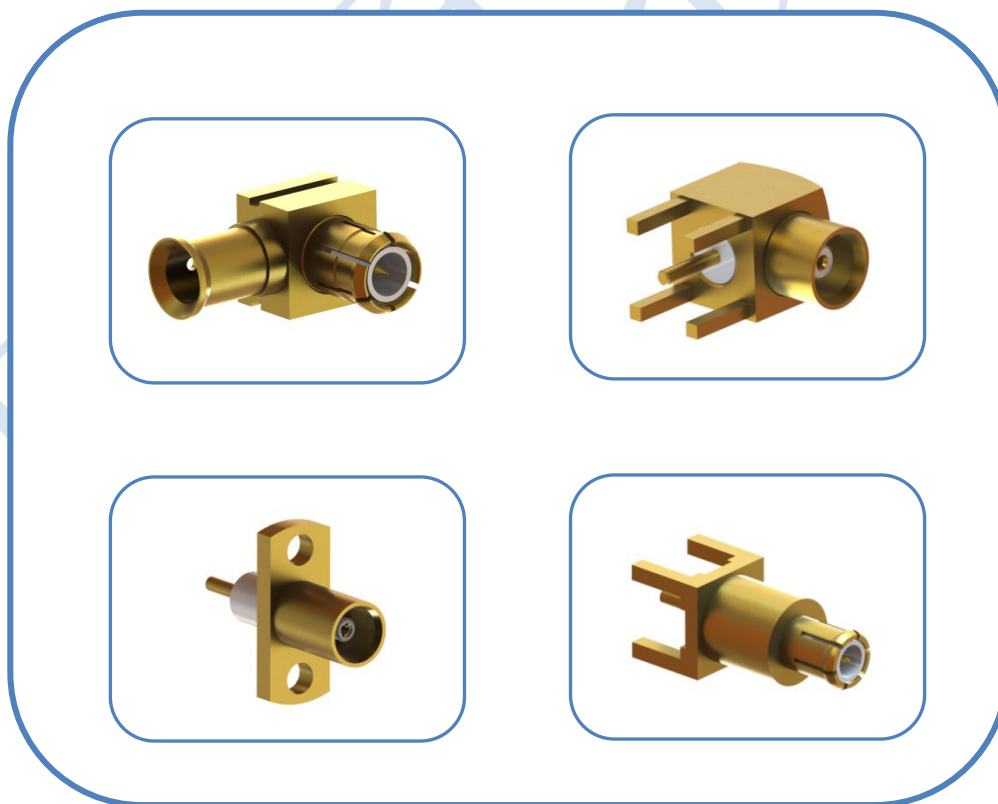
014-08

### MCX 系列射频同轴连接器


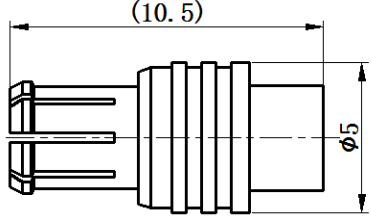

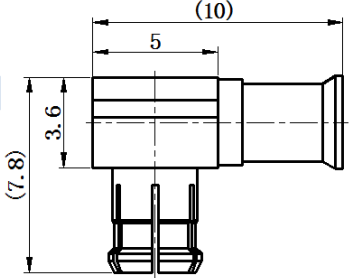

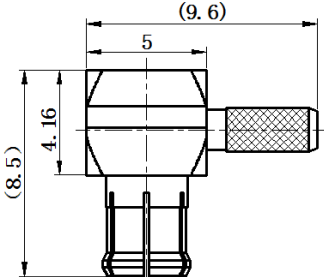
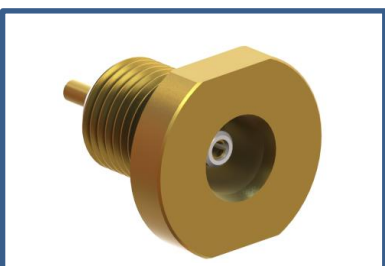
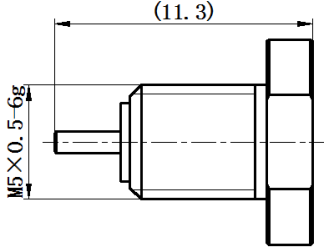
#### SERIES MCX RF. COAXIAL CONNECTORS

MCX 型产品是一种小型推入自锁式射频同轴连接器，阻抗特性为  $50\ \Omega$ 。它具有体积小、重量轻、性能优越、可靠性高的特点，广泛应用于对安装体积有特殊要求的领域。

The MCX product is a small push-in self-locking RF coaxial connector with an impedance characteristic of  $50\ \Omega$ . It has the characteristics of small volume, light weight, superior performance and high reliability and is widely used in the field with special requirements for installation volume.

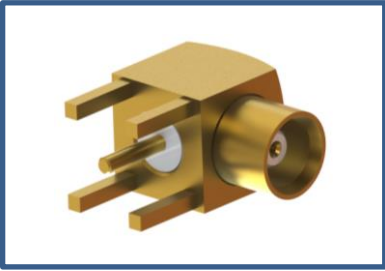
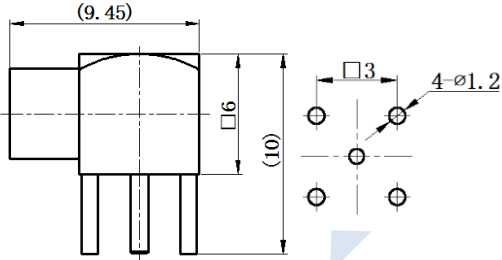
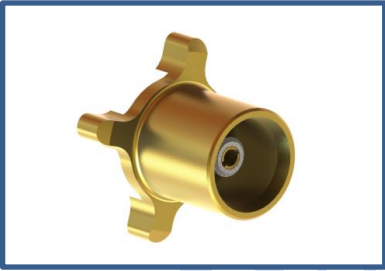
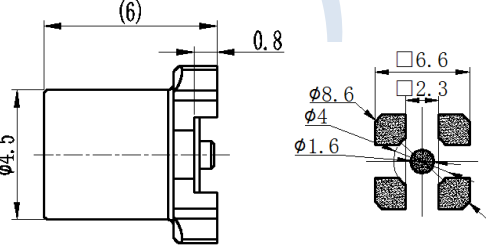
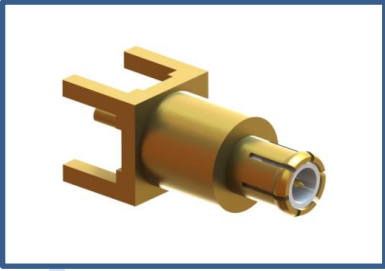
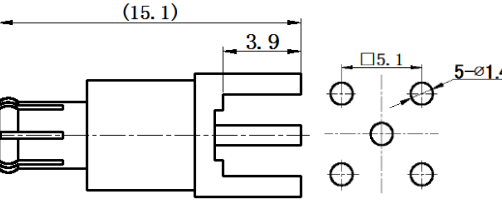
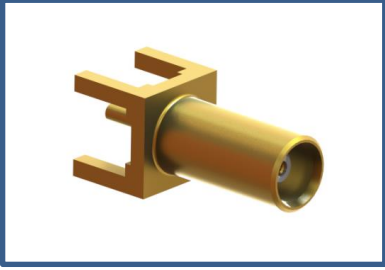
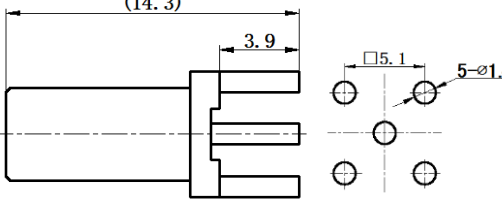


### ◆ 部分产品型号外形参数 Partial Products Overall Specification

产品型号 Product No.	适配电缆 Matched cable		
MCXM-H	RG405		
013-01			
产品型号 Product No.	适配电缆 Matched cable		
MCXM-R-H	RG316		
013-02			
产品型号 Product No.	适配电缆 Matched cable		
MCXM-R-C	RG178		
013-03			
产品型号 Product No.	适配电缆 Matched cable		
MCXF-Y-D	-		
013-04			

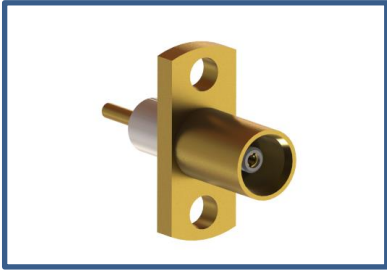
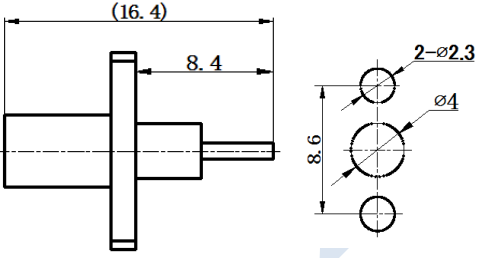
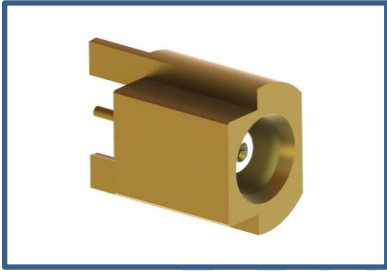
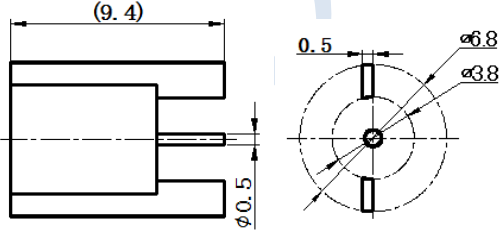
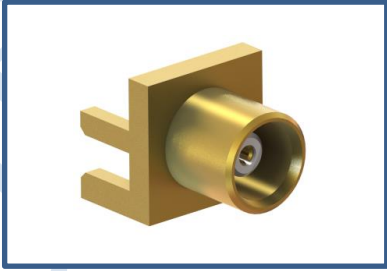
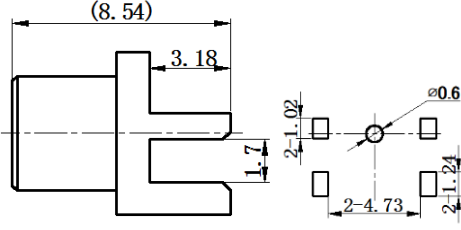
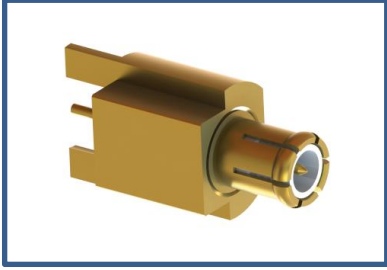
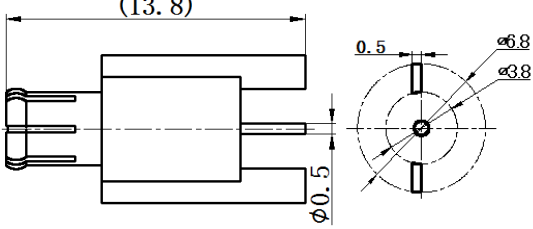
# 射频同轴连接器

## RF Coaxial Connector

产品型号 Product No. MCXF-R-E	适配电缆 Matched cable -		
013-05			
产品型号 Product No. MCXF-E	适配电缆 Matched cable -		
013-06			
产品型号 Product No. MCXM-E	适配电缆 Matched cable -		
013-07			
产品型号 Product No. MCXF-E	适配电缆 Matched cable -		
013-08			

# 射频同轴连接器

## RF Coaxial Connector

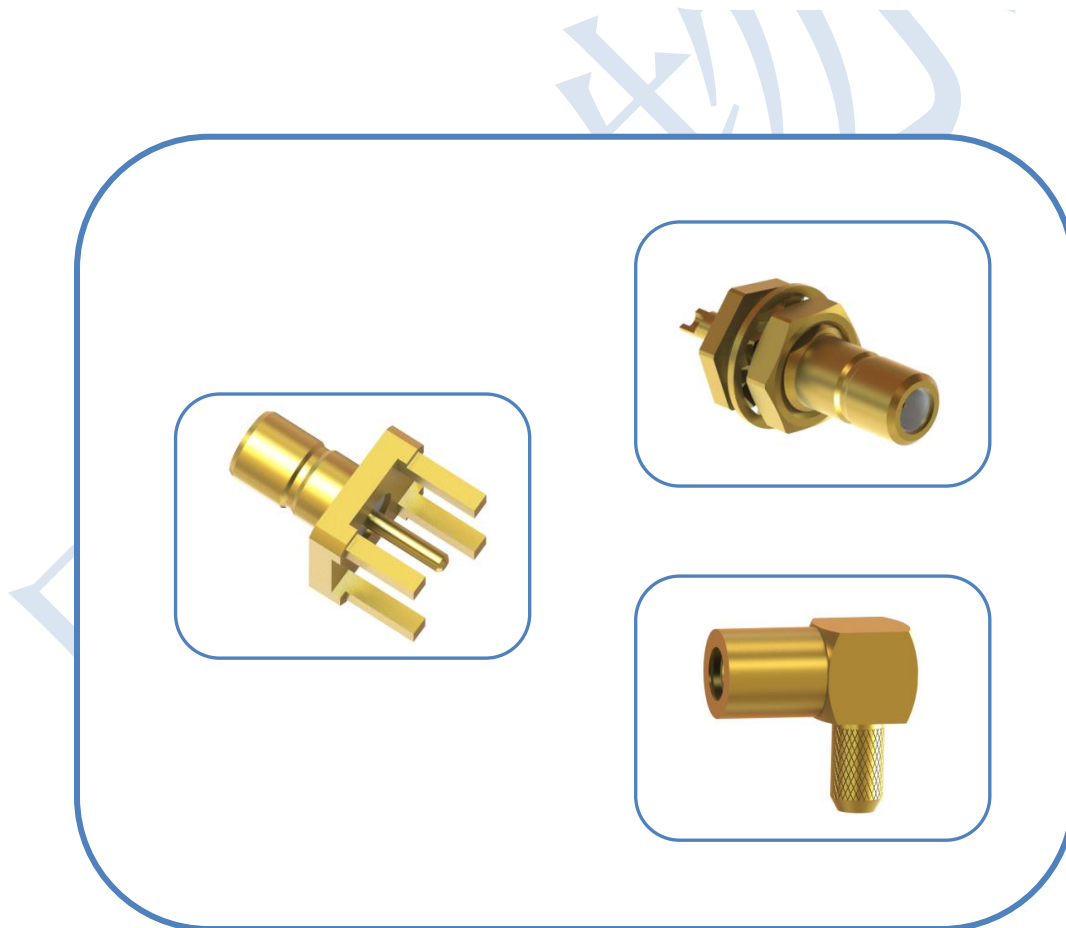
产品型号 Product No. MCXF-F-D	适配电缆 Matched cable -			013-09
产品型号 Product No. MCXF-E	适配电缆 Matched cable -			013-10
产品型号 Product No. MCXF-E	适配电缆 Matched cable -			013-11
产品型号 Product No. MCXM-E	适配电缆 Matched cable -			013-12




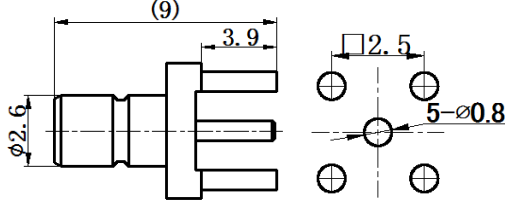

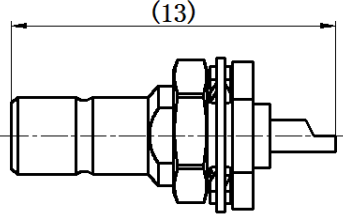
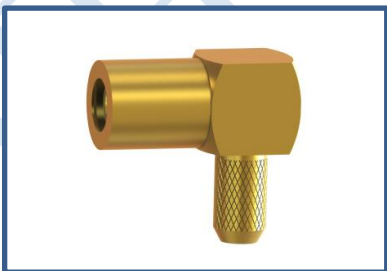
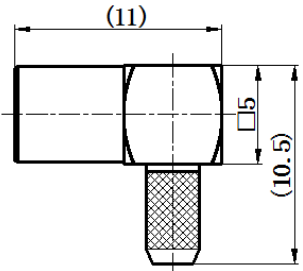
## SSMB 系列射频同轴连接器 SERIES SSMB RF. COAXIAL CONNECTORS

SSMB 系列产品是一种具有快速插拔的自锁式低功耗微型连接器。它具有体积小、重量轻、连接方便、性能优良等特点，广泛应用于微型无线电设备与仪器。

Series SSMB minitype RF Coaxial connectors are developed according to the specification IEC169-19. It features small size, light weight, easy to use, vibration-proof etc. They can be interchangeable with the same-type connectors of abroad. They are suitable for connecting RF coaxial cables in micro-radio equipment and instruments.



### ◆ 部分产品型号外形参数 Partial Products Overall Specification

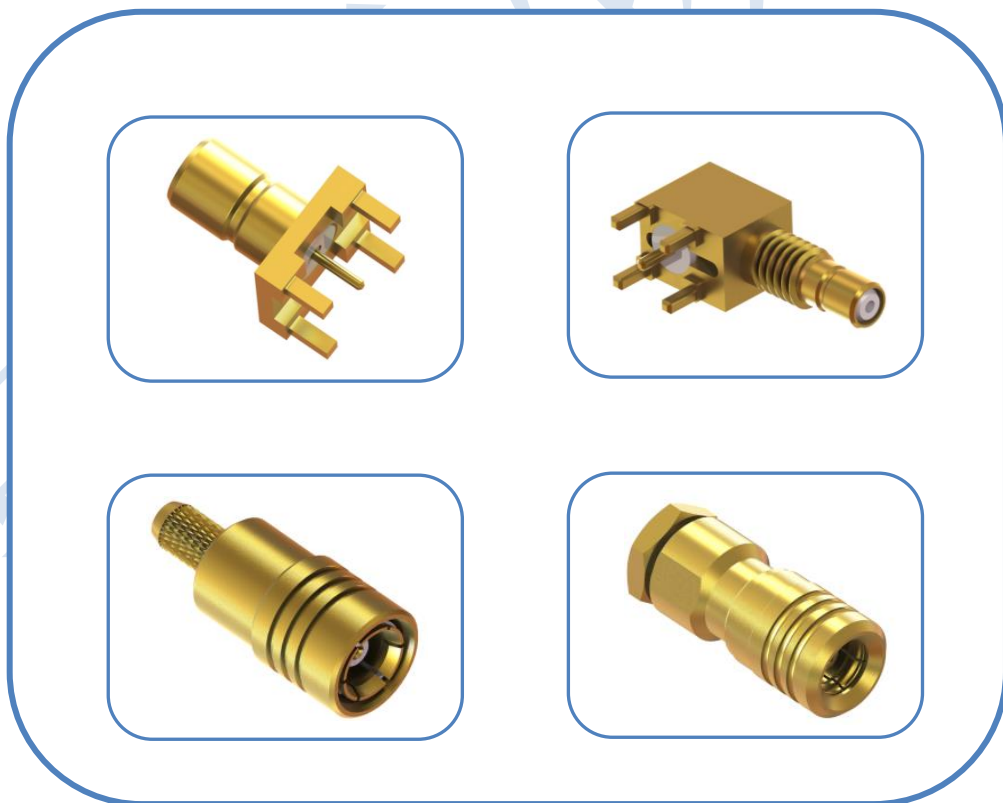
产品型号 Product No.	适配电缆 Matched cable		
SSMBM-E	-		
022-01			
SSMBM-F-D	-		
022-02			
SSMBF-R-C	RG174		
022-03			

### SMB 系列射频同轴连接器


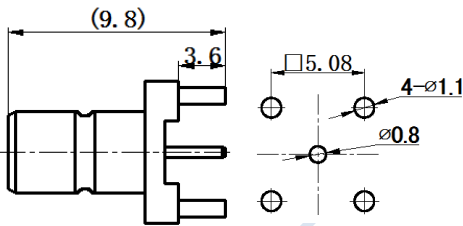

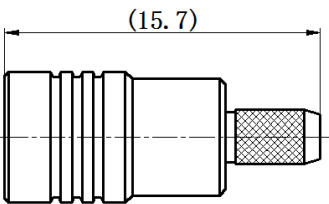

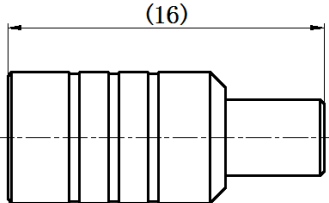

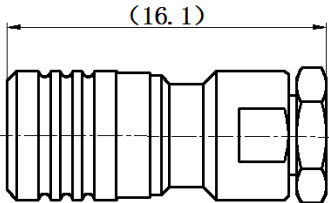
#### SERIES SMB RF. COAXIAL CONNECTORS

SMB 型产品是一种低功率推入自锁式小型射频同轴连接器，特性阻抗分  $50\ \Omega$  和  $75\ \Omega$  两种。具有体积小、插拔方便、电气性能优良的特点，适用于无线通讯设备和电子仪器的高频回路连接等应用。

SMB product is a low power push-in self-locking small RF coaxial connector, characteristic impedance is  $50\ \Omega$  and  $75\ \Omega$  two kinds. It has the characteristic of small size, convenient insertion and removal, excellent electrical performance, suitable for wireless communication equipment and electronic instruments of high frequency loop connection and other applications.

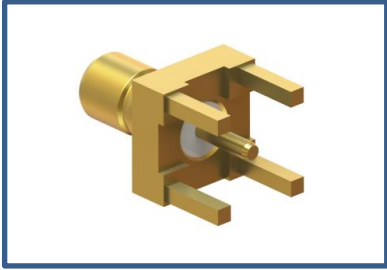
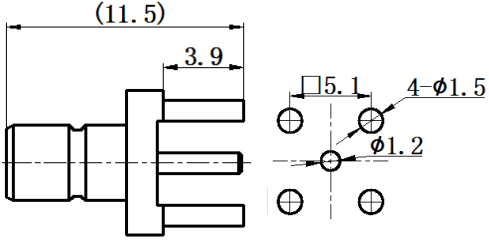


### ◆ 部分产品型号外形参数 Partial Products Overall Specification

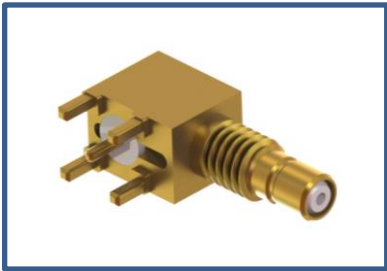
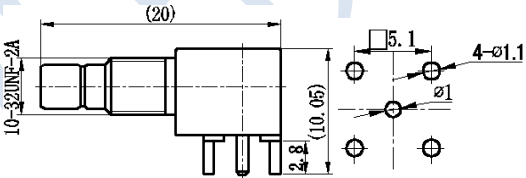
产品型号 Product No.	适配电缆 Matched cable		
SMBM-E	-		
021-01			
产品型号 Product No.	适配电缆 Matched cable		
SMBF-C	RG174		
021-02			
产品型号 Product No.	适配电缆 Matched cable		
SMBF-H	RG405		
021-03			
产品型号 Product No.	适配电缆 Matched cable		
SMBF	RG316		
021-04			

# 射频同轴连接器

## RF Coaxial Connector

产品型号	适配电缆		
Product No.	Matched cable		
SMBM-E	-		

021-05

产品型号	适配电缆		
Product No.	Matched cable		
SMBM-R-E	-		

021-06


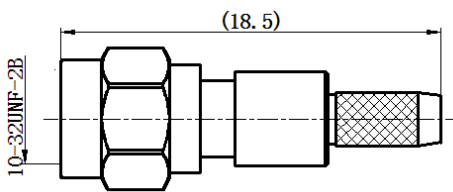

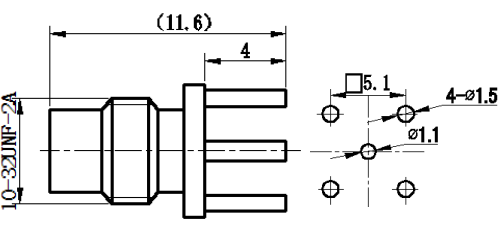
### SMC 系列射频同轴连接器

#### SERIES SMC RF. COAXIAL CONNECTORS

SMC 系列射频同轴连接器是采用螺纹连接形式的一种小型连接器，它具有体积小、重量轻、连接可靠、抗震性好的特点。主要应用于无线通讯设备、电子仪器领域。

SMC series RF coaxial connector is a kind of small connector in the form of threaded connection. It has the characteristics of small size, light weight, reliable connection and good shock resistance. Mainly used in wireless communication equipment, electronic instruments.

#### ◆ 部分产品型号外形参数 Partial Products Overall Specification

产品型号	适配电缆		
Product No.	Matched cable		
SMCF-C	RG174		
024-01			
产品型号	适配电缆		
Product No.	Matched cable		
SMCM-E	-		
024-02			


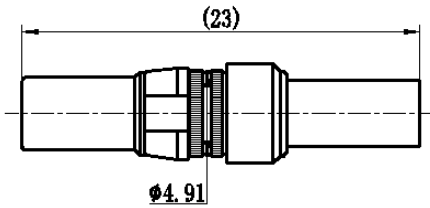
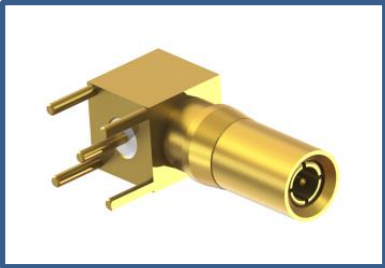
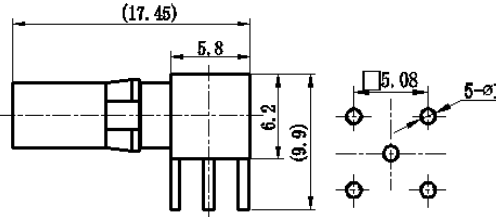
### 1.0-2.3 系列射频同轴连接器

#### SERIES 1.0-2.3 RF. COAXIAL CONNECTORS

1.0/2.3 型连接器是一种小型推入锁紧式连接器，特性阻抗分为 50 Ω 和 75 Ω。其特点是体积小、重量轻、连接方便、性能可靠、耐振动，抗冲击。它广泛用于小型化的无线电通讯设备、数字配线装置、滑入式机构，积木单元及各类数据监控系统。

Type 1.0 / 2.3 connector is a small push in locking connector with characteristic impedance of 50 Ω and 75 Ω. It is characterized by small volume, light weight, convenient connection, reliable performance, vibration resistance and impact resistance. It is widely used in miniaturized radio communication equipment, digital wiring devices, sliding mechanism, building block units and various data monitoring systems.

#### ◆ 部分产品型号外形参数 Partial Products Overall Specification

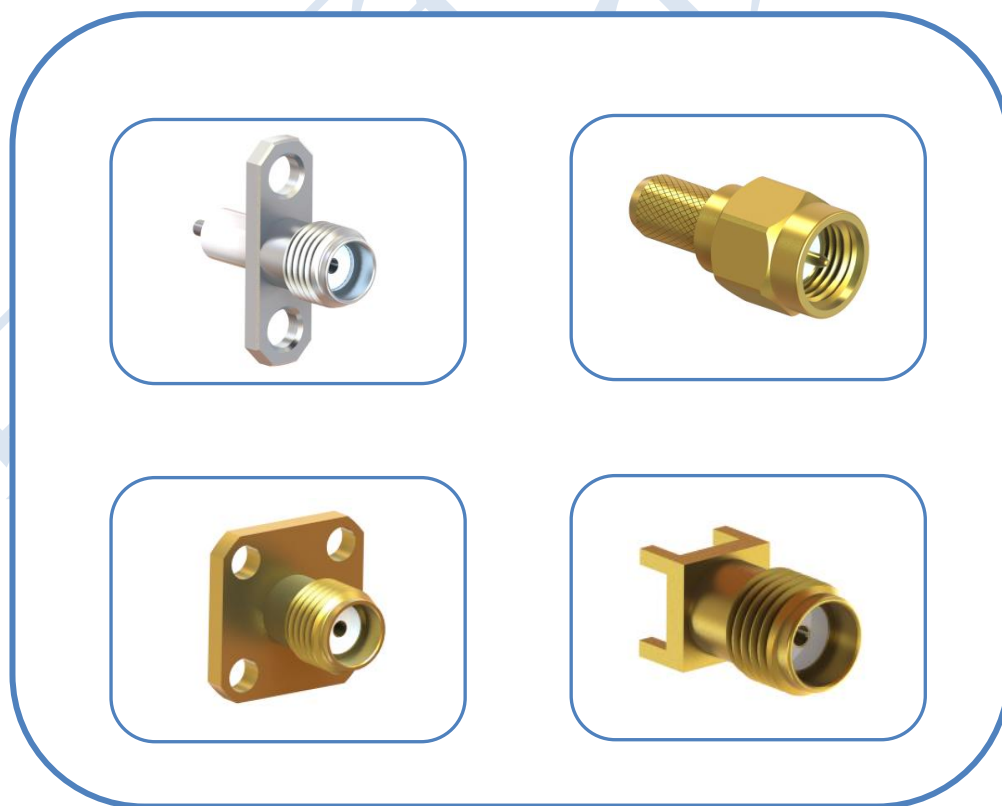
产品型号	适配电缆		
Product No.	Matched cable		
1.0-2.3F-C	RG316		
		061-1	
产品型号	适配电缆		
Product No.	Matched cable		
1.0-2.3M-R-E	-		
		061-2	

### SSMA 系列射频同轴连接器

#### SERIES SSMA RF. COAXIAL CONNECTORS

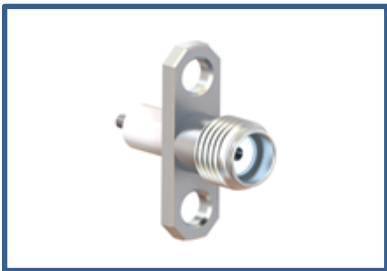
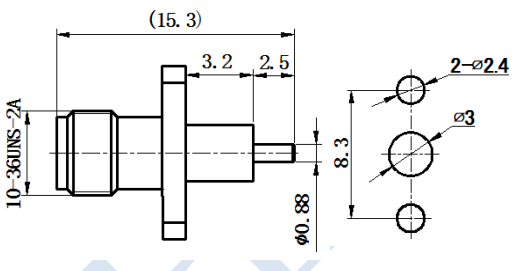

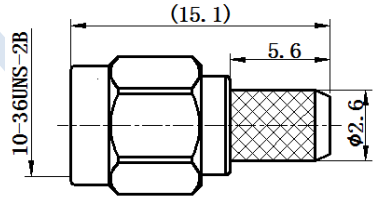
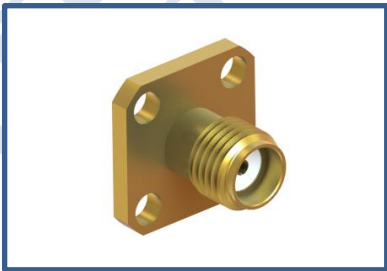
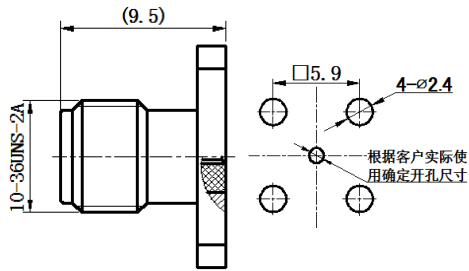
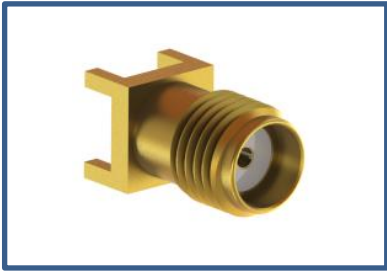
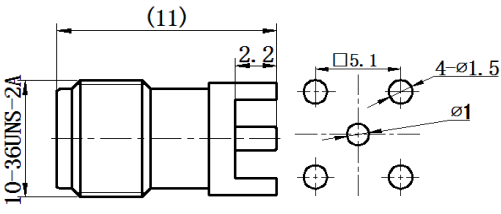
SSMA 型产品是一种螺纹连接的小型射频同轴连接器，特性阻抗  $50\ \Omega$ 。它具有体积小、重量轻、频带宽、可靠性高的特点。适用于对重量、体积有严格要求的高精度的小型、便携式电子设备及网络系统。

SSMA product is a small RF coaxial connector with threaded connection, characteristic impedance  $50\ \Omega$ . It has the characteristics of small size, light weight, wide frequency band and high reliability. It is suitable for high-precision small and portable electronic equipment and network system with strict requirements on weight and volume.





### ◆ 部分产品型号外形参数 Partial Products Overall Specification

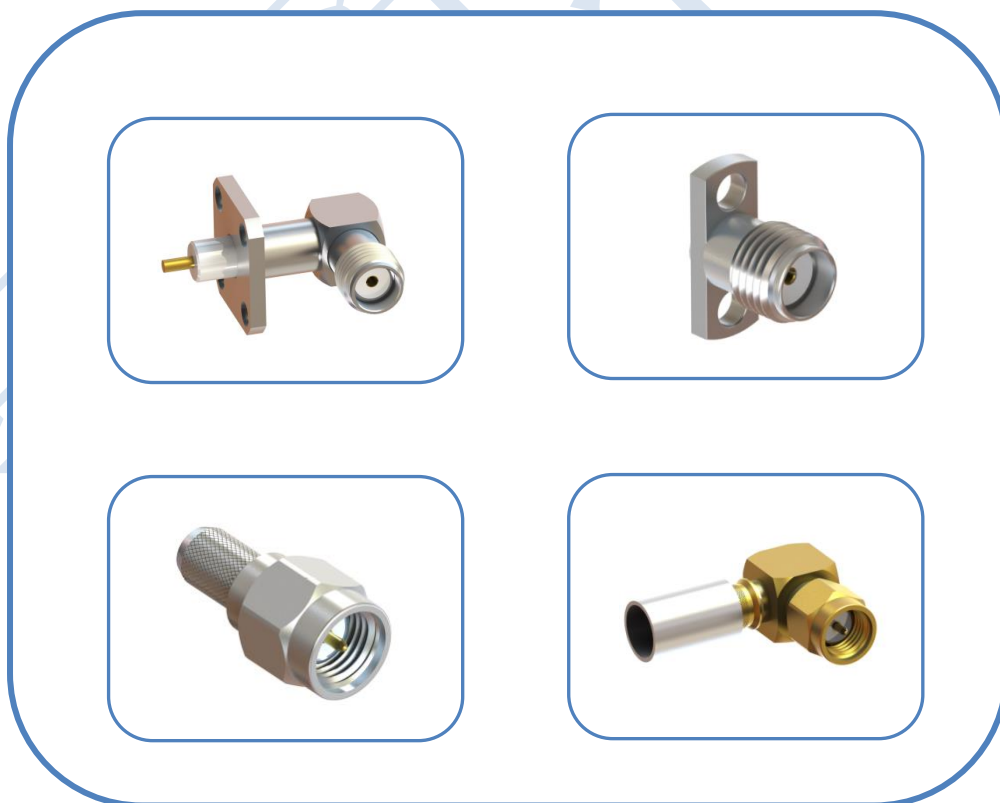
<p>产品型号 适配电缆</p> <p>Product No. Matched cable</p> <hr/> <p>SSMAF-F-D -</p>		
019-01		
<p>产品型号 适配电缆</p> <p>Product No. Matched cable</p> <hr/> <p>SSMAM-C RG174</p>		
019-02		
<p>产品型号 适配电缆</p> <p>Product No. Matched cable</p> <hr/> <p>SSMAF-F-D - (适配插针 ø0.44、ø0.38)</p>		
019-03		
<p>产品型号 适配电缆</p> <p>Product No. Matched cable</p> <hr/> <p>SSMAF-E -</p>		
019-04		

### SMA 系列射频同轴连接器

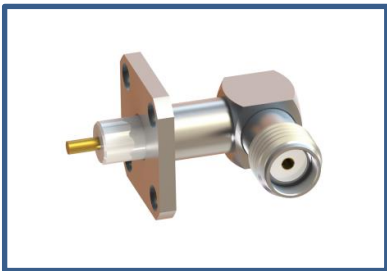
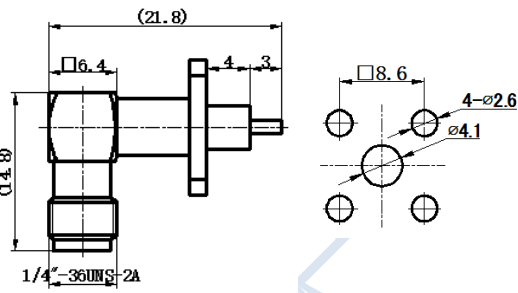
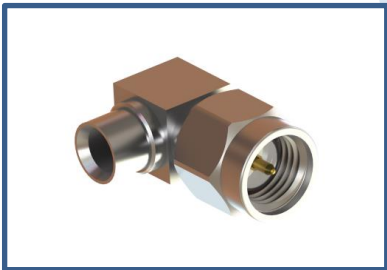
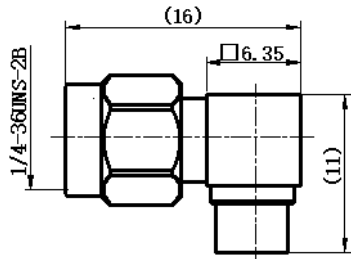

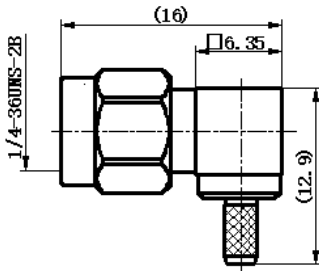
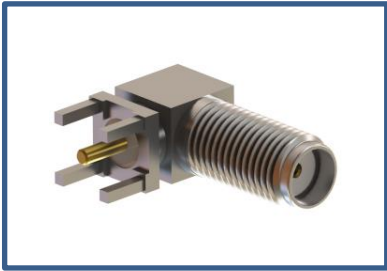
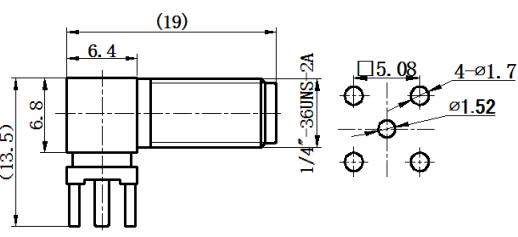
#### SERIES SMA RF. COAXIAL CONNECTORS

SMA 型产品是一种应用广泛的小型螺纹连接的同轴连接器，特性阻抗  $50\ \Omega$ 。它具有体积小、频带宽、机械和电气性能优越、可靠性高等优点，是应用最广泛的射频连接器。适用于无线网络、程控、航天航海，武器系统及微波测试设备等领域。

SMA product is a widely used coaxial connector with small threaded connection, with characteristic impedance of  $50\ \Omega$ . It has the advantages of small volume, wide frequency band, superior mechanical and electrical performance and high reliability. It is the most widely used RF connector. It is suitable for wireless network, program control, aerospace and navigation, weapon system and microwave test equipment.




### ◆ 部分产品型号外形参数 Partial Products Overall Specification

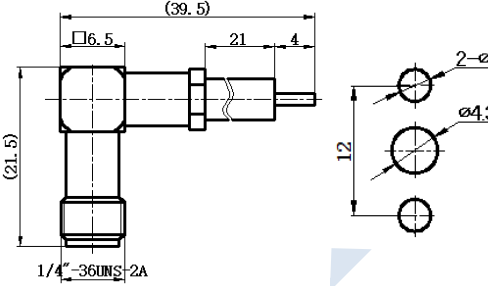
产品型号	适配电缆		
Product No.	Matched cable		
SMAF-RF-D	-		
017-01			
SMAM-R-H	RG141		
017-02			
SMAM-R-C	RG316		
017-03			
SMAF-R-E	-		
017-04			

# 射频同轴连接器

## RF Coaxial Connector

产品型号	适配电缆
Product No.	Matched cable
SMAF-RF-D	-





017-05

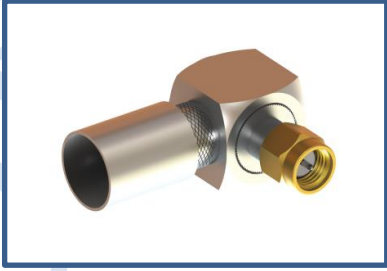
产品型号	适配电缆
Product No.	Matched cable
SMAM-R-C	LMR240

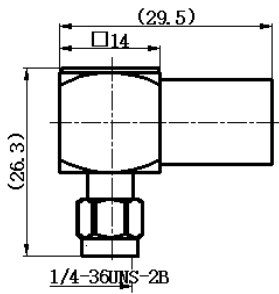




017-06

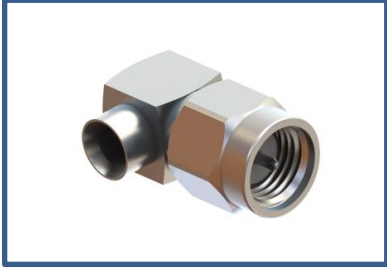
产品型号	适配电缆
Product No.	Matched cable
SMAM-R-C	LMR400

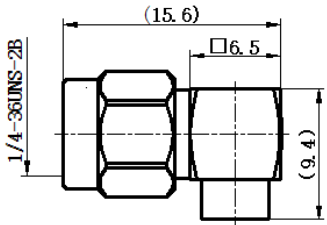




017-07

产品型号	适配电缆
Product No.	Matched cable
SMAM-R-H	RG402



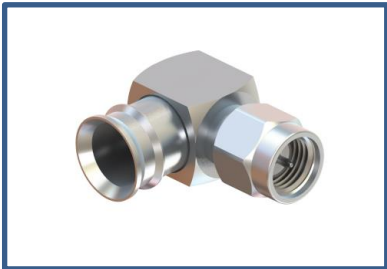


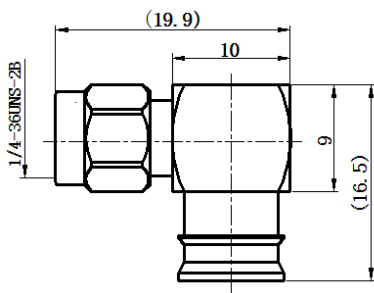
017-08

# 射频同轴连接器

## RF Coaxial Connector

产品型号	适配电缆
Product No.	Matched cable
SMAM-R-H	YD5

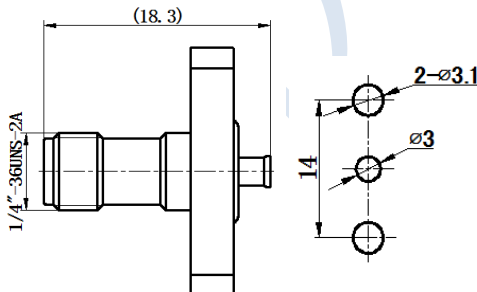




017-09


产品型号	适配电缆
Product No.	Matched cable
SMAF-F-H	SM047

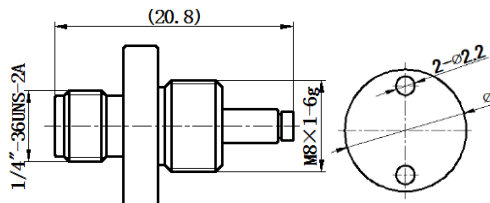




017-10

产品型号	适配电缆
Product No.	Matched cable
RSMAF-C(反极性)	1.37





017-11

产品型号	适配电缆
Product No.	Matched cable
RSMAM-C(反极性)	RG316






017-12

# 射频同轴连接器

## RF Coaxial Connector

产品型号	适配电缆
Product No.	Matched cable
SMAF-C	1.37





017-13

产品型号	适配电缆
Product No.	Matched cable
SMAF-C	KSR195





017-14

产品型号	适配电缆
Product No.	Matched cable
SMAF-C	RG178





017-15

产品型号	适配电缆
Product No.	Matched cable
SMAF-C	RG316



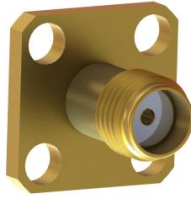


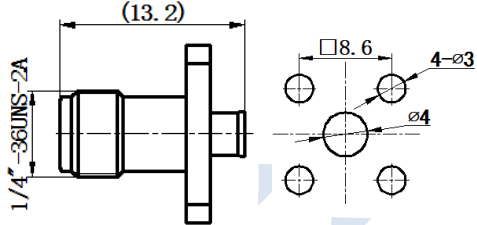
017-16

# 射频同轴连接器

## RF Coaxial Connector

产品型号	适配电缆
Product No.	Matched cable
SMAF-F-H	RG405





017-17

产品型号	适配电缆
Product No.	Matched cable
SMAF-F-H	RG405





017-18


产品型号	适配电缆
Product No.	Matched cable
SMAF-F-H	RG405

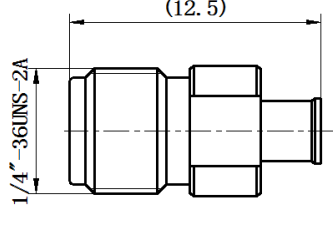




017-19

产品型号	适配电缆
Product No.	Matched cable
SMAF-H	RG405





017-20

# 射频同轴连接器


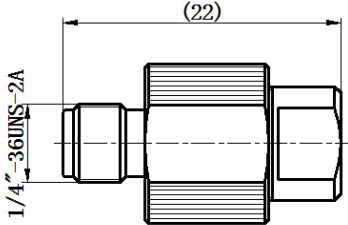
## RF Coaxial Connector

产品型号	适配电缆
Product No.	Matched cable
SMAF-H	WT1.90



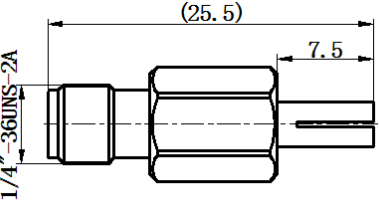

017-21

产品型号	适配电缆
Product No.	Matched cable
SMAF	RG141 (快插测试用)

017-22

产品型号	适配电缆
Product No.	Matched cable
SMAF	RG405 (快插测试用)

017-23

产品型号	适配电缆
Product No.	Matched cable
SMAM-C	LMR240




017-24



# 射频同轴连接器

## RF Coaxial Connector

产品型号	适配电缆
Product No.	Matched cable
SMAM-H	RG142



017-25



产品型号	适配电缆
Product No.	Matched cable
SMAM-H	210A



017-26



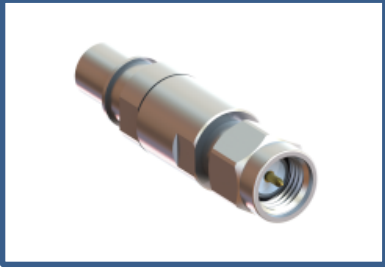
产品型号	适配电缆
Product No.	Matched cable
SMAM-H	RG141



017-27



产品型号	适配电缆
Product No.	Matched cable
SMAM	RG142


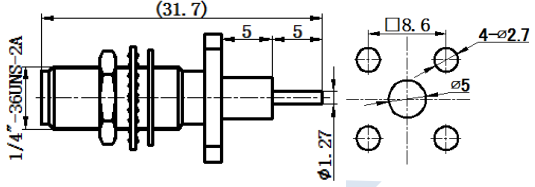

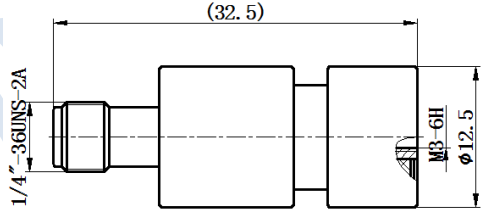

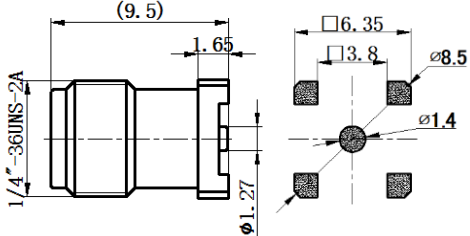

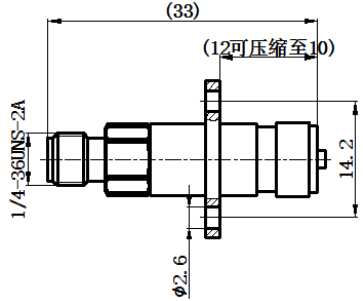


017-28



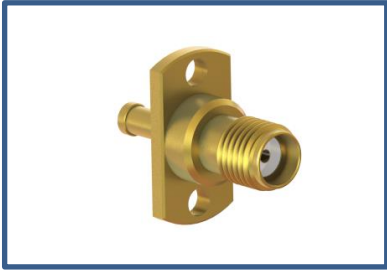


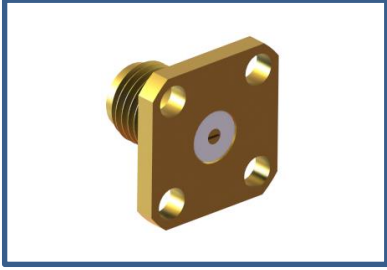
# 射频同轴连接器

## RF Coaxial Connector

产品型号 Product No. SMAF-F-D	适配电缆 Matched cable -		
017-29			
产品型号 Product No. SMAF-D	适配电缆 Matched cable -		
017-30			
产品型号 Product No. SMAF-E	适配电缆 Matched cable -		
017-31			
产品型号 Product No. SMAF-E	适配电缆 Matched cable -		
017-32			

# 射频同轴连接器

## RF Coaxial Connector

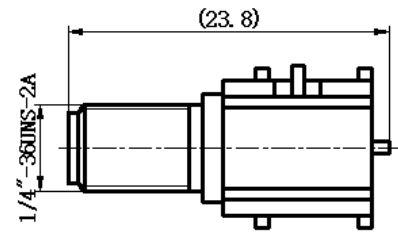
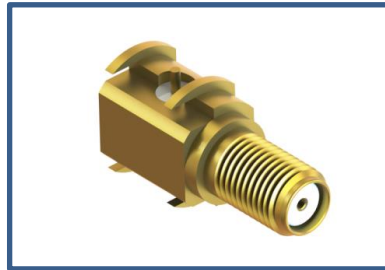
产品型号 Product No. SMAF-F-D(探针型)	适配电缆 Matched cable -		
017-33			
产品型号 Product No. SMAF-F-D(探针型)	适配电缆 Matched cable -		
017-34			
产品型号 Product No. SMAF-F-D	适配电缆 Matched cable -		
017-35			
产品型号 Product No. SMAF-F-D	适配电缆 Matched cable -		
017-36			

# 射频同轴连接器

## RF Coaxial Connector

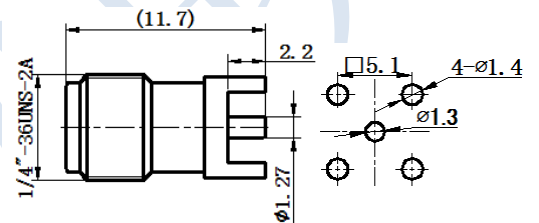
产品型号	适配电缆
Product No.	Matched cable
SMAF-E (开关)	-

017-37



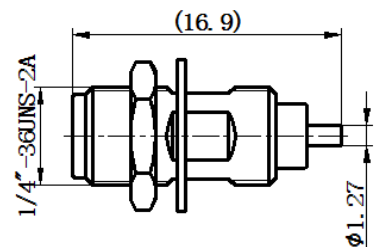
产品型号	适配电缆
Product No.	Matched cable
SMAF-E	-

017-38



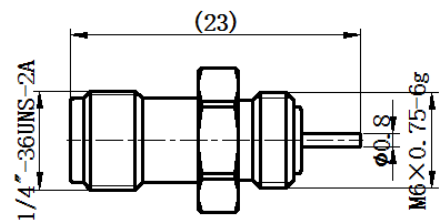
产品型号	适配电缆
Product No.	Matched cable
SMAF-F	-

017-39



产品型号	适配电缆
Product No.	Matched cable
SMAF-F-D	-

017-40

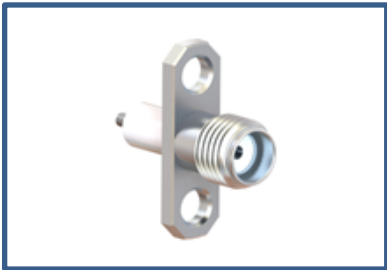
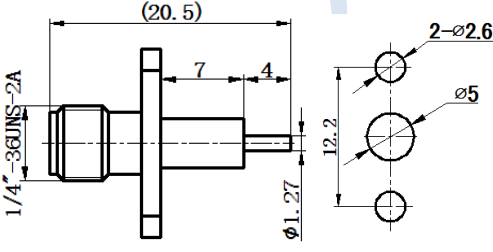


# 射频同轴连接器


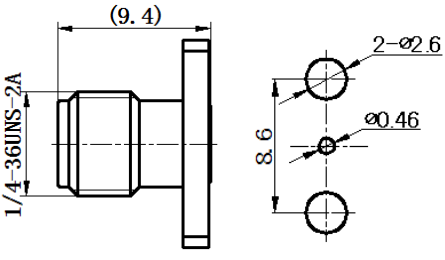
## RF Coaxial Connector

产品型号	适配电缆		
Product No.	Matched cable		
SMAF-F-D	-		

017-41

产品型号	适配电缆		
Product No.	Matched cable		
SMAF-F-D	-		

017-42

产品型号	适配电缆		
Product No.	Matched cable		
SMAF-F-D	- (适配插φ0.45)		

017-43

产品型号	适配电缆		
Product No.	Matched cable		
SMAF-F-D	- (适配插φ0.8)		

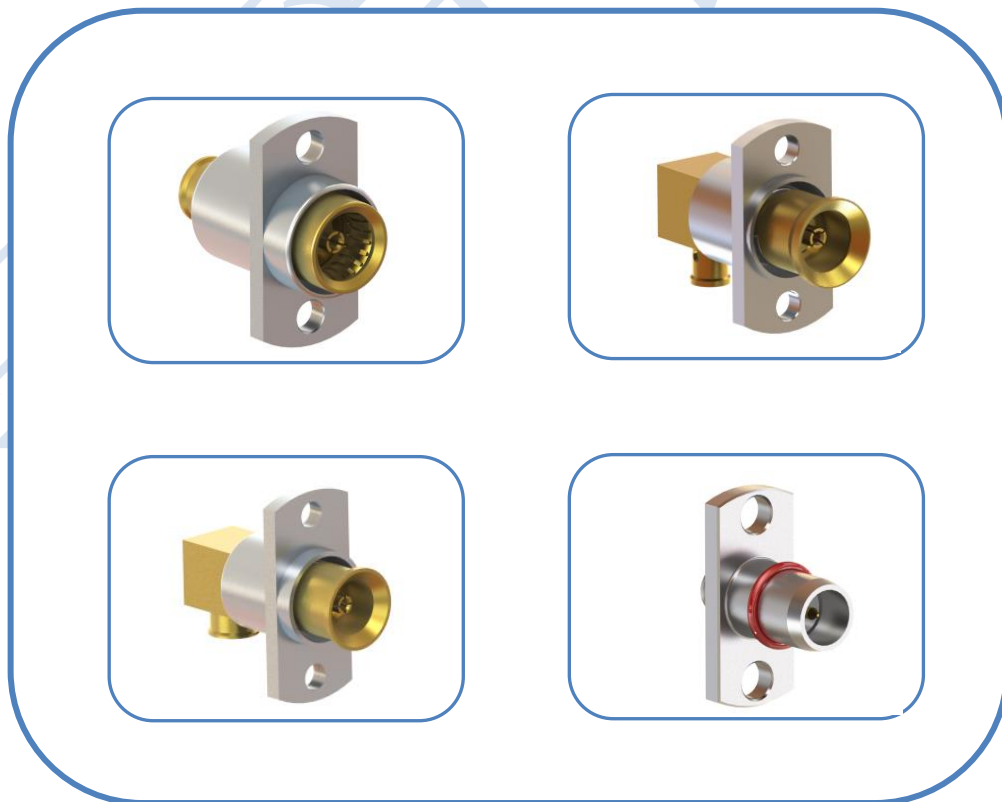
017-44

### BMA 系列射频同轴连接器


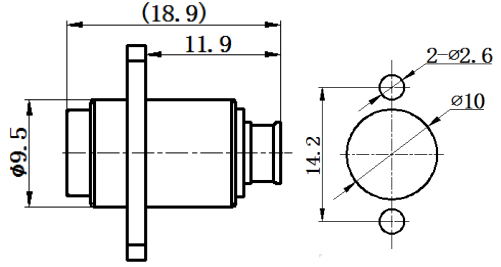

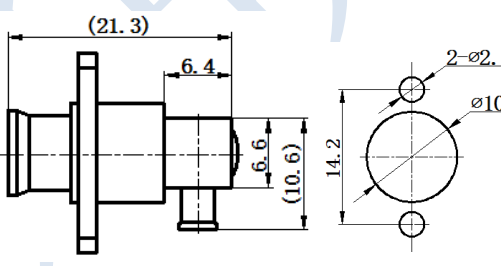

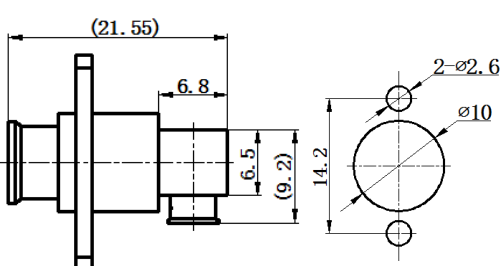

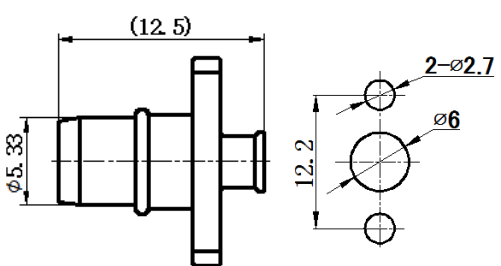
#### SERIES BMA RF. COAXIAL CONNECTORS

BMA 系列射频同轴连接器是一种新型的推入式盲插射频连接器，接口界面采用空气界面，使用频率可达 18GHz。具有体积小、接触可靠、机械电气性能优越、对接方便等特点。广泛用于各种微波电路的连接，尤其适用于机箱、机柜的盲插配合，有利于雷达等整机系统的模块化。

BMA series RF coaxial connector is a new type of blind plug RF connector, the interface adopts air interface and the service frequency reaches 18GHz. It has the characteristics of small volume, reliable contact, superior mechanical and electrical performance, convenient docking and so on. It is widely used for the connection of various microwave circuits, especially for the blind insertion of chassis and cabinet, which is conducive to the modularization of radar and other complete system.



### ◆ 部分产品型号外形参数 Partial Products Overall Specification

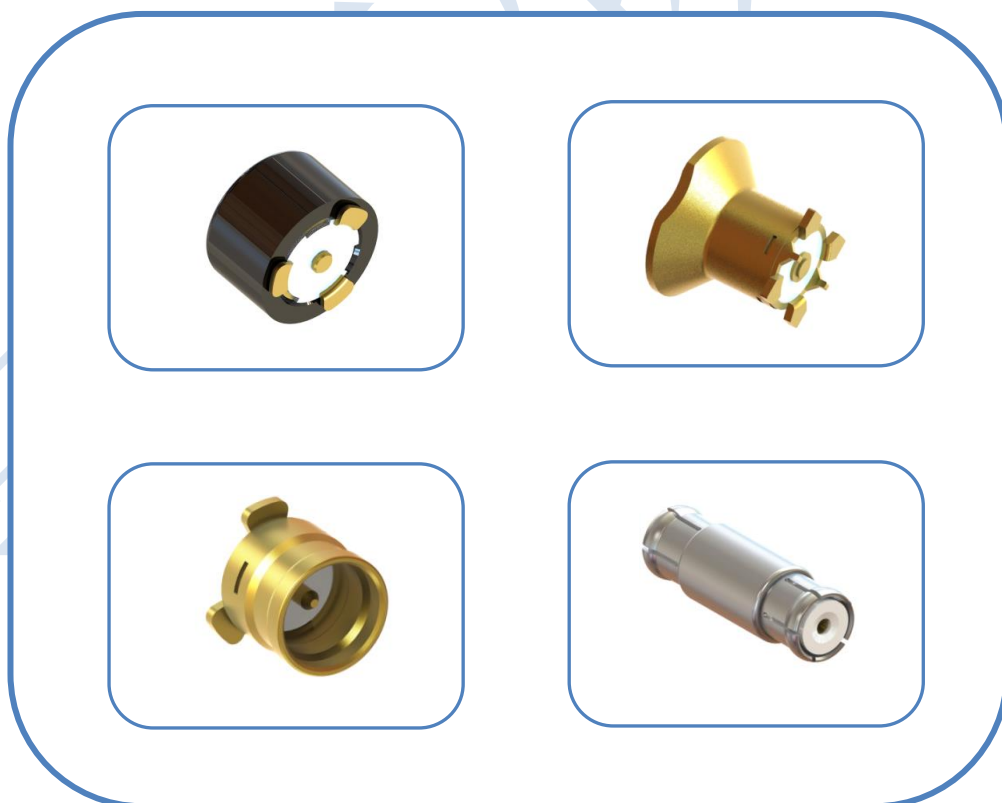
产品型号 Product No.	适配电缆 Matched cable		
BMAF-F-H	RG402		
005-01			
产品型号 Product No.	适配电缆 Matched cable		
BMAF-RF-H	RG405		
005-02			
产品型号 Product No.	适配电缆 Matched cable		
BMAF-RF-H	RG402		
005-03			
产品型号 Product No.	适配电缆 Matched cable		
BMAM-H	RG405		
005-04			

### ZSMP 系列射频同轴连接器

#### SERIES ZSMP RF. COAXIAL CONNECTORS


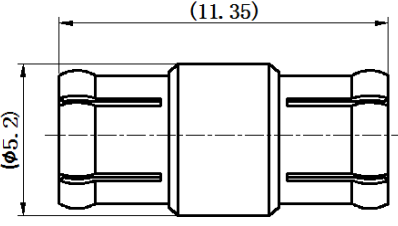

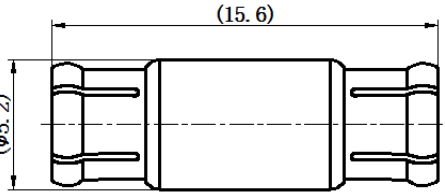

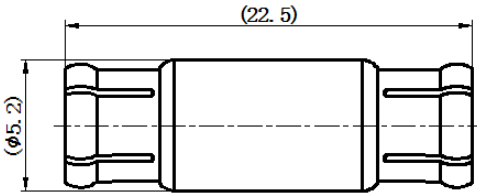
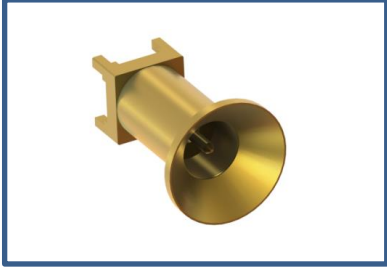
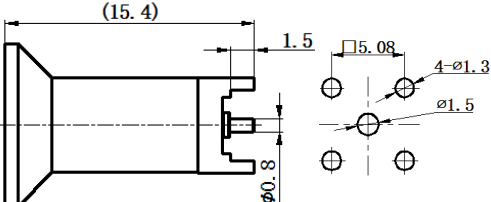
ZSMP 系列产品是一种用于板与板之间的盲插浮动连接,是一种带有容差的射频连接器,允许在轴向和径向上有一定的失配量。具有体积小、重量轻、连接快速以及使用频率高等特点,广泛用于 5G 微波通信领域。

ZSMP series product is a kind of blind plug floating connection between boards, it is a kind of RF connector with tolerance, allowing a fixed mismatch in axial and radial direction. It has the characteristics of small size, light weight, fast connection and high frequency, and is widely used in 5G microwave communication field.



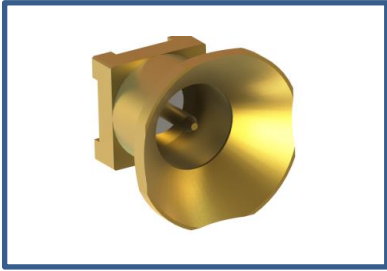
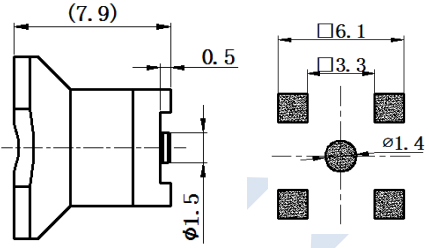
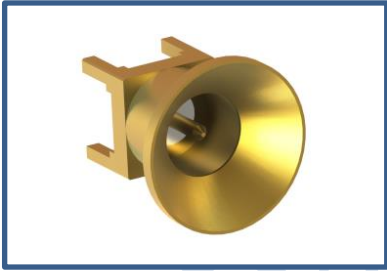
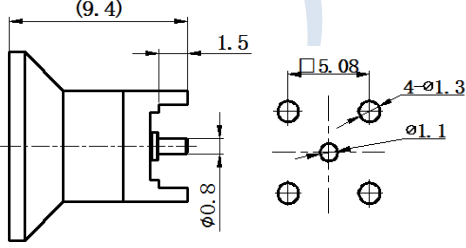

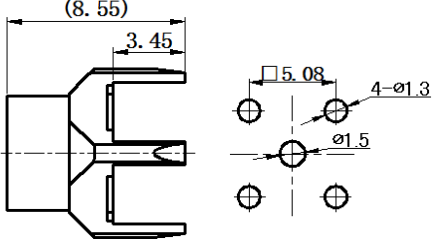

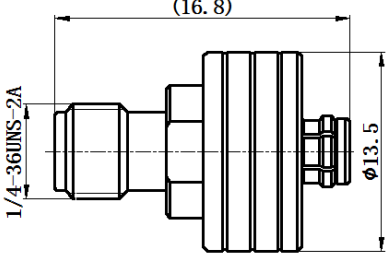


### ◆ 部分产品型号外形参数 Partial Products Overall Specification

产品型号 Product No. ZSMPF/ZSMPF	适配电缆 Matched cable -		
030-01			
产品型号 Product No. ZSMFP/ZSMPF	适配电缆 Matched cable -		
030-02			
产品型号 Product No. ZSMPF/ZSMPF	适配电缆 Matched cable -		
030-03			
产品型号 Product No. ZSMPM-E	适配电缆 Matched cable -		
030-04			

# 射频同轴连接器

## RF Coaxial Connector

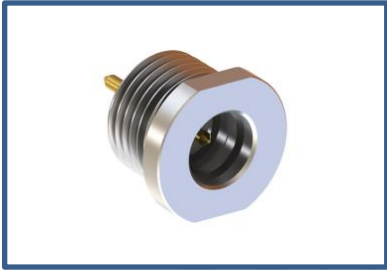
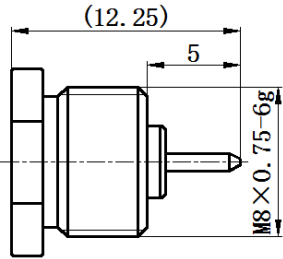
产品型号 Product No. ZSMPM-E	适配电缆 Matched cable -		
030-05			
产品型号 Product No. ZSMPM-E	适配电缆 Matched cable -		
030-06			
产品型号 Product No. ZSMPM-E	适配电缆 Matched cable -		
030-07			
产品型号 Product No. ZSMPF/ SMAF	适配电缆 Matched cable - (测试用)		
030/017-08			

# 射频同轴连接器

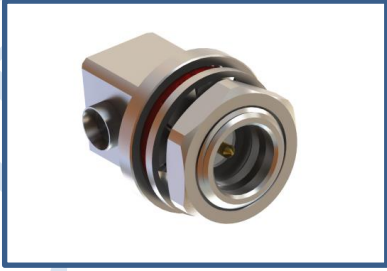
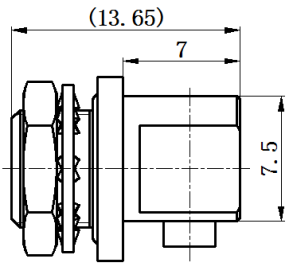
## RF Coaxial Connector

产品型号	适配电缆		
Product No.	Matched cable		
ZSMPF/SMAF	- (测试用)		

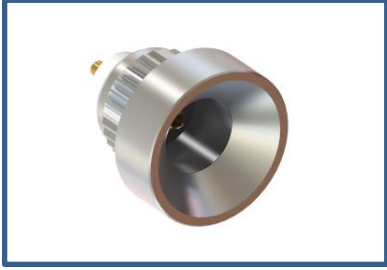
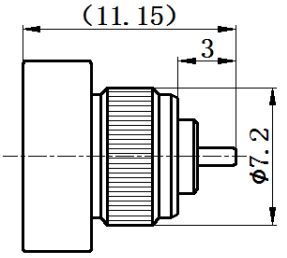
030/017-09

产品型号	适配电缆		
Product No.	Matched cable		
ZSMPM-Y-D	-		

030-10

产品型号	适配电缆		
Product No.	Matched cable		
ZSMPM-RF-H	RG405		

030-11

产品型号	适配电缆		
Product No.	Matched cable		
ZSMPM-Y-D	-		

030-12

# 射频同轴连接器

## RF Coaxial Connector


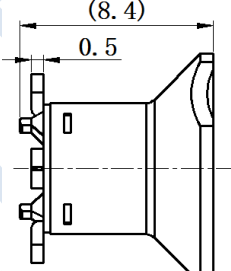
产品型号	适配电缆
Product No.	Matched cable
ZSMPM-E	-

030-13



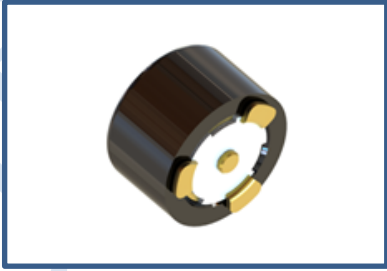
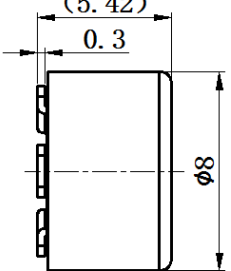

产品型号	适配电缆
Product No.	Matched cable
ZSMPM-E	-

030-14

产品型号	适配电缆
Product No.	Matched cable
ZSMPM-E	-

030-15

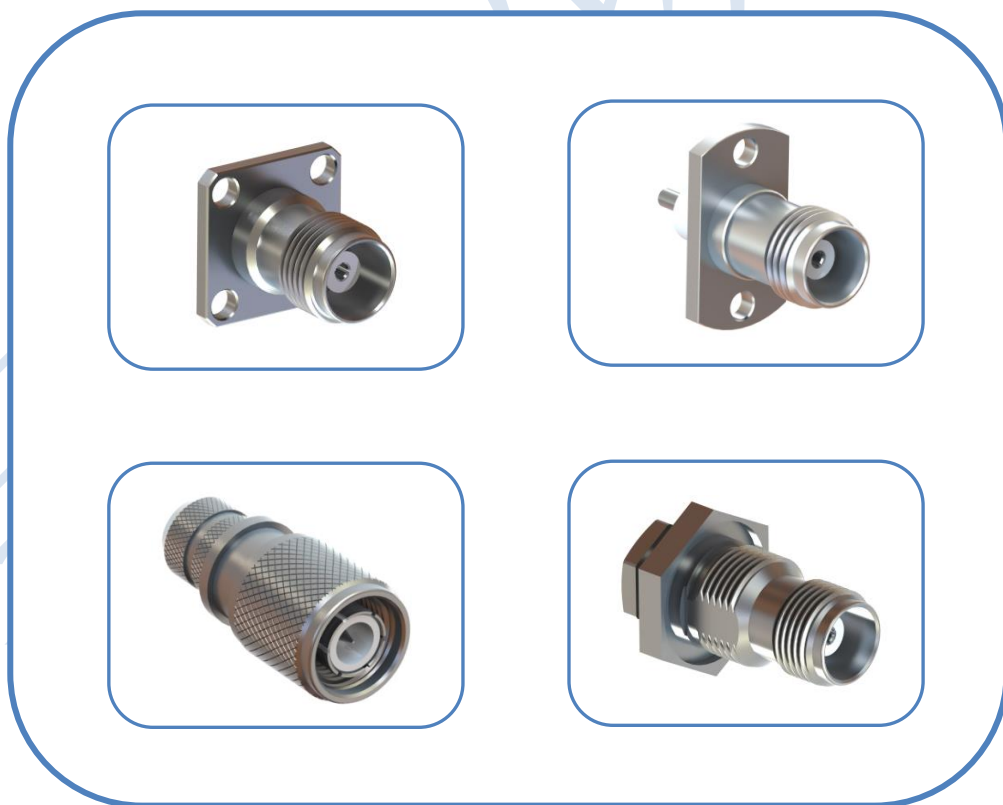



### TNC 系列射频同轴连接器


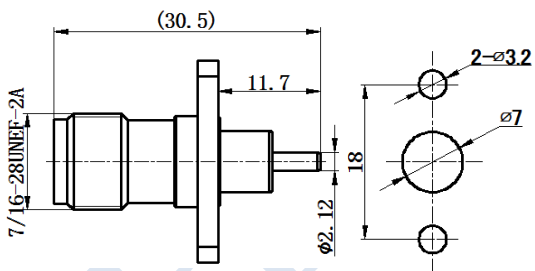

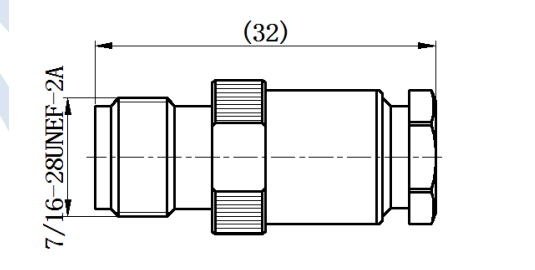

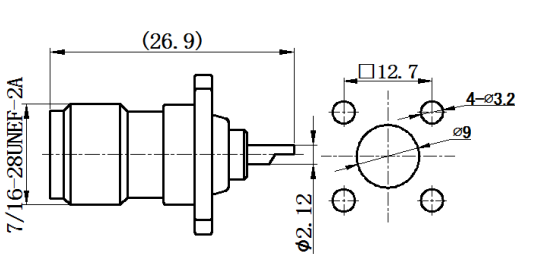
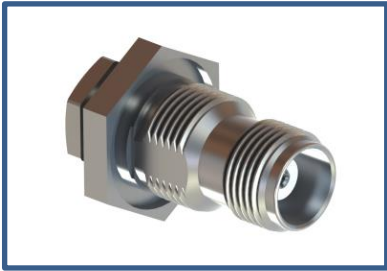
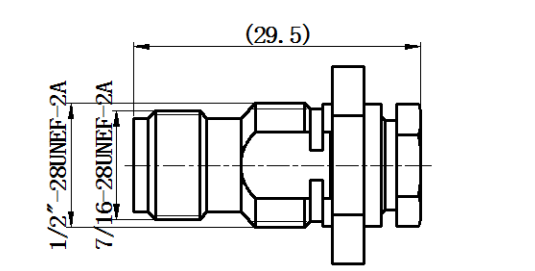
#### SERIES TNC RF. COAXIAL CONNECTORS

TNC 系列产品是一种具有螺纹连接机构中小功率连接器。它具有抗震性强、可靠性高、机械和电气性能优良等特点。广泛地应用于天线、卫星通讯、仪器设备等产品上。

TNC series products are small and medium power connector with threaded connection mechanism. It has the characteristics of strong vibration resistance, high reliability, excellent mechanical and electrical performance. It is widely used in antenna, satellite communication, instrument equipment and other products.



### ◆ 部分产品型号外形参数 Partial Products Overall Specification

产品型号 Product No. TNC-F-D	适配电缆 Matched cable -		
055-01			
产品型号 Product No. TNC-F	适配电缆 Matched cable RG58C/U		
055-02			
产品型号 Product No. TNC-F-D	适配电缆 Matched cable -		
055-03			
产品型号 Product No. TNC-F	适配电缆 Matched cable RG58C/U		
055-04			

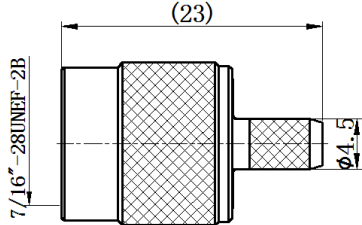
# 射频同轴连接器

## RF Coaxial Connector

产品型号	适配电缆
Product No.	Matched cable
TNCM-C	RG58C/U



055-05



产品型号	适配电缆
Product No.	Matched cable
TNCM-C	7DFB



055-06



产品型号	适配电缆
Product No.	Matched cable
TNCF-F-D	-



055-07

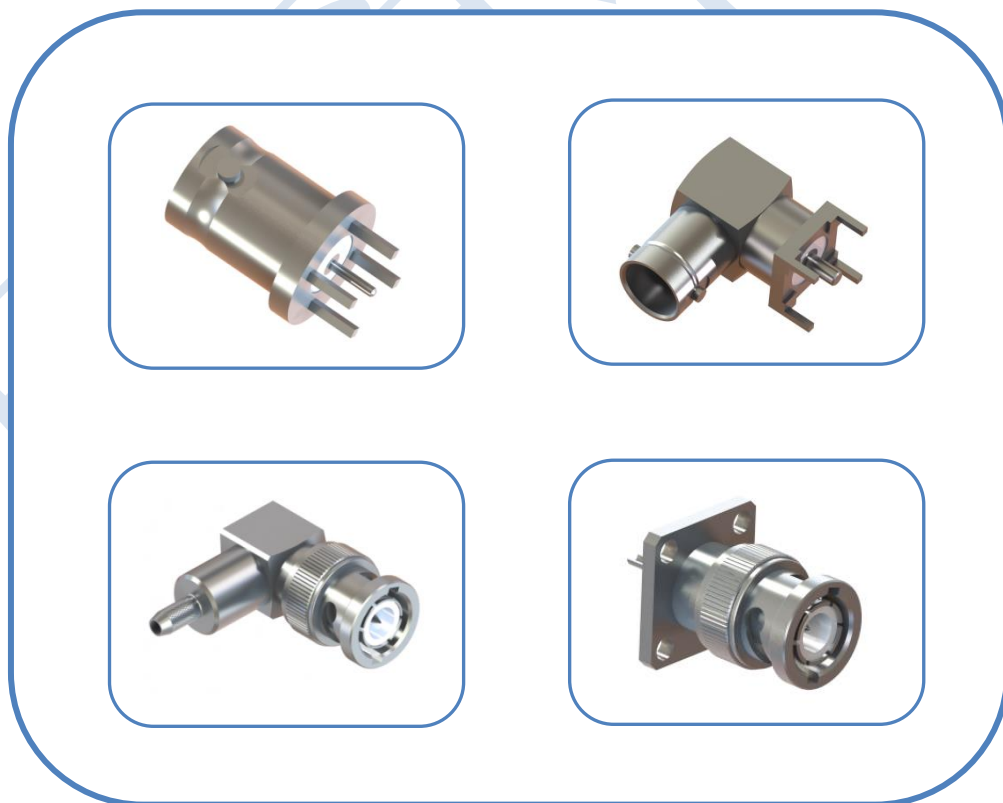


## BNC 系列射频同轴连接器

### SERIES BNC RF. COAXIAL CONNECTORS

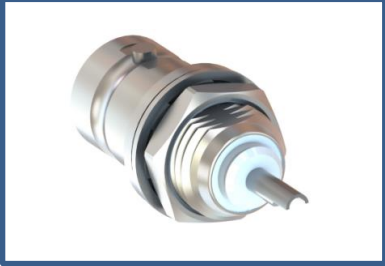
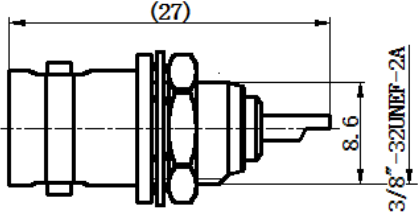

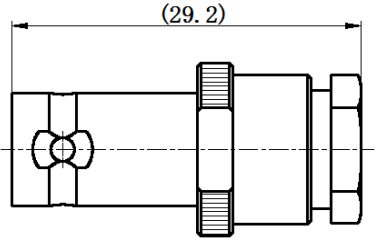
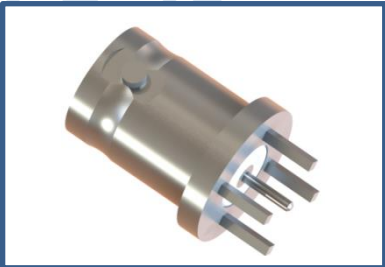
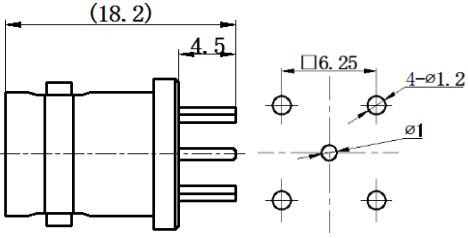

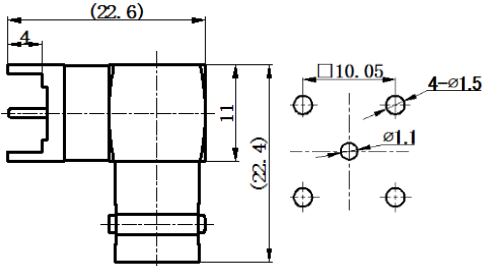
BNC 系列产品是一种卡口式射频同轴连接器，特性阻抗分为  $50\ \Omega$  和  $75\ \Omega$ 。它具有连接迅速、接触可靠等特点，广泛的应用于计算机行业、医疗行业、无线电设备、电视广播传输和电子仪器上。

BNC series products are a bayonet RF coaxial connector with characteristic impedance of  $50\ \Omega$  and  $75\ \Omega$ . It has the characteristics of fast connection and reliable contact, widely used in computer industry, medical industry, radio equipment, television transmission and electronic instruments.






### ◆ 部分产品型号外形参数 Partial Products Overall Specification

产品型号 Product No. BNCF-YF-D	适配电缆 Matched cable -		
007-01			
产品型号 Product No. BNCF	适配电缆 Matched cable RG59B/U		
007-02			
产品型号 Product No. BNCF-F-D	适配电缆 Matched cable -		
007-03			
产品型号 Product No. BNCF-R-E	适配电缆 Matched cable -		
007-04			

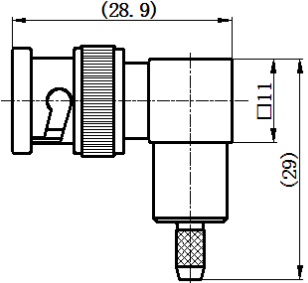
# 射频同轴连接器

## RF Coaxial Connector

产品型号	适配电缆
Product No.	Matched cable
BNCM-R-C	RG174



007-05



产品型号	适配电缆
Product No.	Matched cable
BNCM-F-D	-



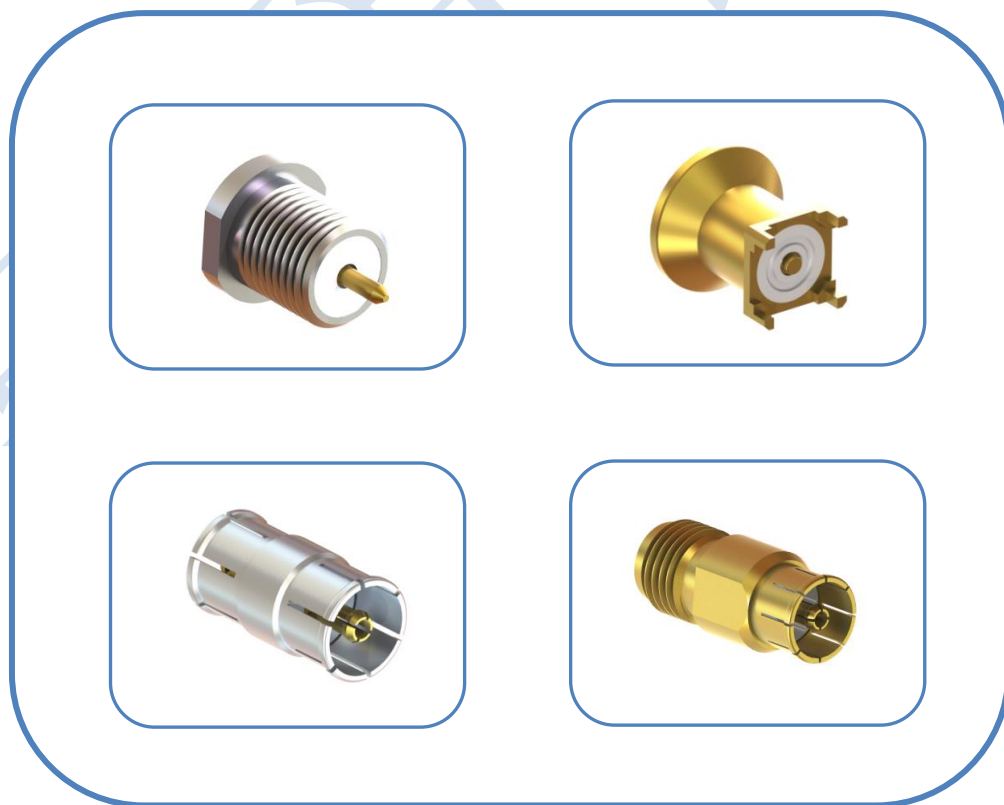
007-06



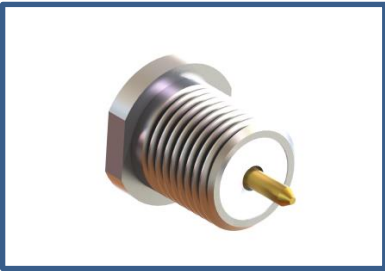
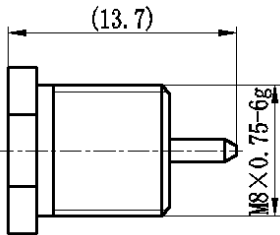
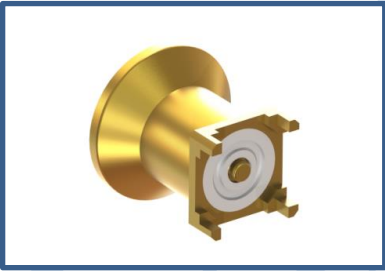
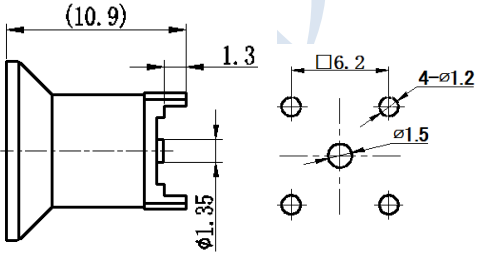
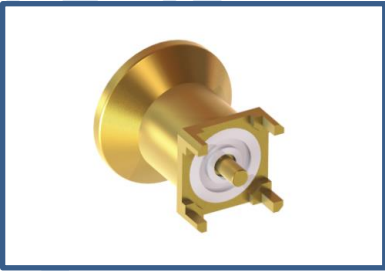
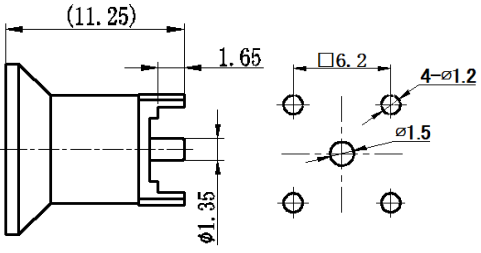
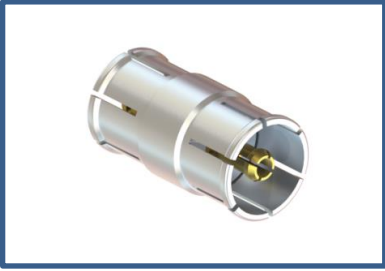
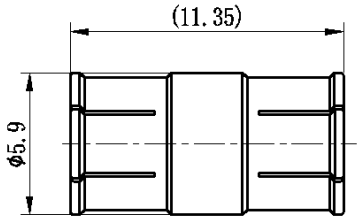
## POWER-SMP 系列射频同轴连接器 SERIES POWER-SMP RF. COAXIAL CONNECTORS

POWER-SMP 系列连接器是我司专利产品，主要是为了解决大功率、大容差板间射频集成连接一体化而设计。具有高功率、高可靠、高性能传输的特点，产品系统互配采用擒纵和滑入连接方式，应用于射频板间大容差的盲插连接，安装可靠，方便快捷，提高效率，适用于 5G 微波通信领域。

POWER-SMP series connector are our patented products, mainly designed to solve the integrated of RF integrated connection between high power and large tolerance plates. With the characteristics of high power, high reliability and high performance transmission, the product system is matched with escapement and slip into the connection mode, can be well applied to the large tolerance of the RF board between the blind plug connection, reliable installation, convenient and fast, improve efficiency. It is suitable for 5G microwave communication field.



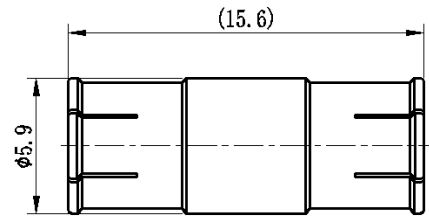
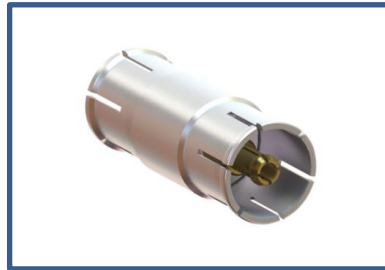
### ◆ 部分产品型号外形参数 Partial Products Overall Specification

<p>产品型号      适配电缆</p> <p>Product No.    Matched cable</p> <hr/> <p>POWER-SMP-D      -</p>		
<p>029-01</p>		
<p>产品型号      适配电缆</p> <p>Product No.    Matched cable</p> <hr/> <p>POWER-SMP-E      -</p>		
<p>029-02</p>		
<p>产品型号      适配电缆</p> <p>Product No.    Matched cable</p> <hr/> <p>POWER-SMP-E      -</p>		
<p>029-03</p>		
<p>产品型号      适配电缆</p> <p>Product No.    Matched cable</p> <hr/> <p>PW-SMPM/PW-SMPM      -</p>		
<p>029/029-04</p>		

# 射频同轴连接器

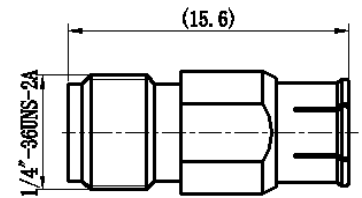
## RF Coaxial Connector

产品型号	适配电缆
Product No.	Matched cable
PW-SMPM/PW-SMPM	-



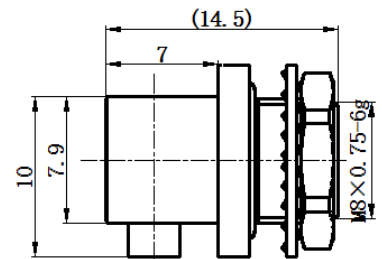
029/029-05

产品型号	适配电缆
Product No.	Matched cable
POWER-SMPM/SMFA	- (测试用)



029/017-06

产品型号	适配电缆
Product No.	Matched cable
POWER-SMP-F-R-H	RG405



029-07


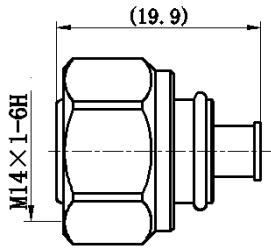

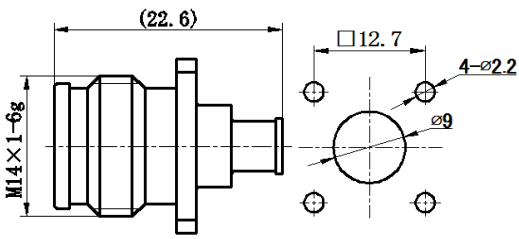
### 2.2-5 系列射频同轴连接器

#### SERIES 2.2-5 RF. COAXIAL CONNECTORS

2.2-5 系列连接器用于分布式的天线系统，在新频段中具有密集网状的高功率射频段，在无线电和天线之间具有大量内部跳线接口，适用于室内和室外系统。

2.2-5 series connectors are used for distributed antenna system. They have dense mesh high-power RF section in the new frequency band, and a large number of internal jumper interfaces between radio and antenna. They are suitable for indoor and outdoor systems.

#### ◆ 部分产品型号外形参数 Partial Products Overall Specification

产品型号 Product No.	适配电缆 Matched cable		
2.2-5M-H	RG141		
040-01			
产品型号 Product No.	适配电缆 Matched cable		
2.2-5F-H	RG141		
040-02			


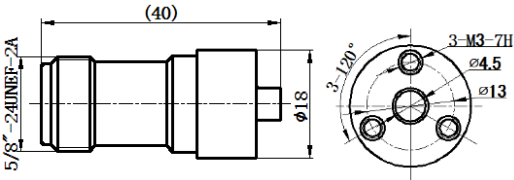

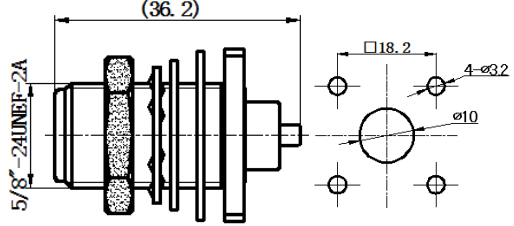
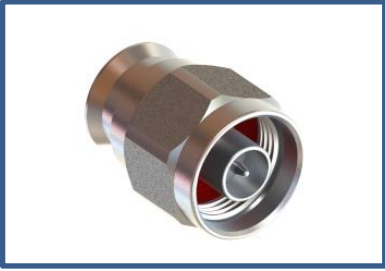
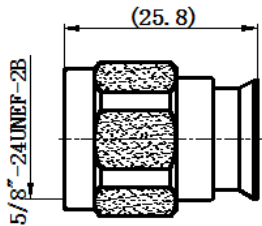
### N 系列射频同轴连接器

#### SERIES N RF. COAXIAL CONNECTORS

N 型产品是一种螺纹连接的中小功率连接器，具有可靠性高、抗震性强、机械和电气性能优良等特点。广泛用于振动和恶劣环境下的无线电仪器、通讯设备、微波测试以及卫星传输系统。

N type product is a thread connection of medium and small power connector with high reliability, strong earthquake resistance, excellent mechanical and electrical properties. Widely used in vibration and harsh environment of radio instruments, communication equipment, microwave testing and satellite transmission systems.

#### ◆ 部分产品型号外形参数 Partial Products Overall Specification

产品型号	适配电缆		
Product No.	Matched cable		
NF-F-H	RG141		
002-09			
NF-YF-D			
002-10			
NM-H	YD9		
002-11			

### LN 系列射频同轴连接器

#### SERIES LN RF. COAXIAL CONNECTORS


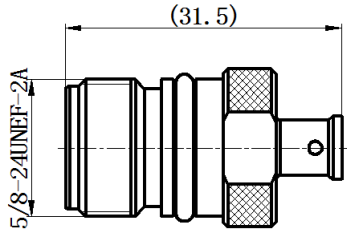

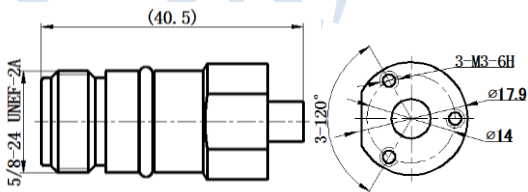
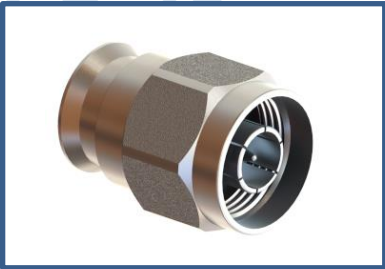
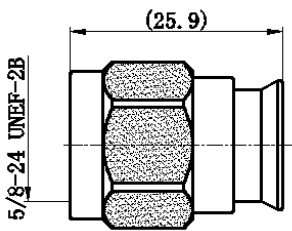
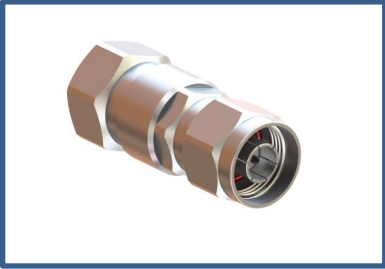
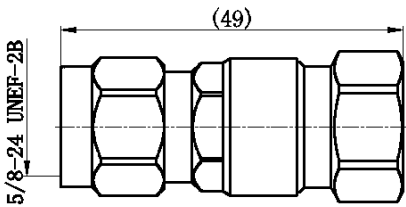
LN 型产品是由 N 型产品升级版,它继承了 N 型产品的可靠性高、抗震性强、机械和电气性能优良的特点,并且有着更高互调以及集成化防护的优点。

LN product is an upgraded version of N product. It inherits the characteristics of high reliability, strong seismic resistance, excellent mechanical and electrical performance of N product, and has the advantages of higher intermodulation and integrated protection.





### ◆ 部分产品型号外形参数 Partial Products Overall Specification

<p>产品型号 Product No.</p> <p>产品型号 Product No.</p> <p>产品型号 Product No.</p> <p>产品型号 Product No.</p>	<p>适配电缆 Matched cable</p> <p>适配电缆 Matched cable</p> <p>适配电缆 Matched cable</p> <p>适配电缆 Matched cable</p>		
068-01	380		
068-02	RG141		
068-03	YD9		
068-04	YD12		

### QN 系列射频同轴连接器


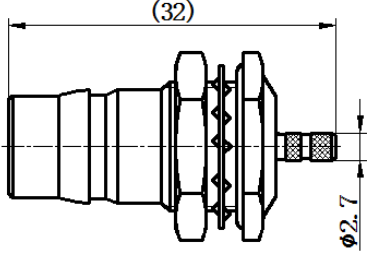
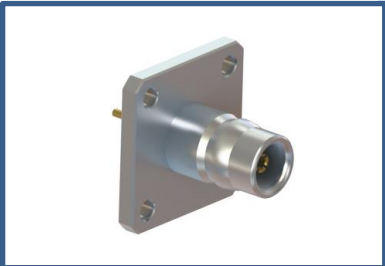
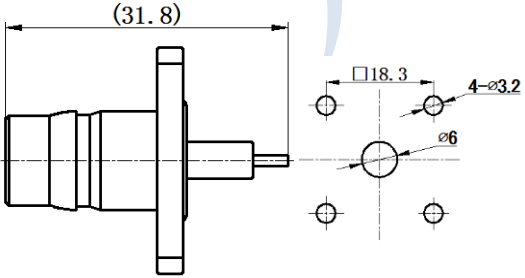

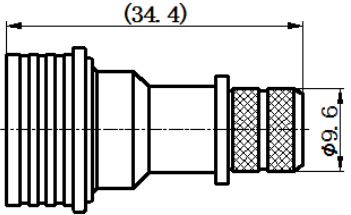

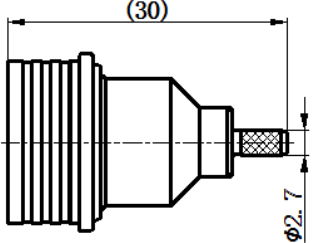
#### SERIES QN RF. COAXIAL CONNECTORS

QN 系列是快锁型连接器, 允许在最紧密的空间进行快速、简单和可靠的连接。QN 连接器基于 N 型连接器接口, 频率范围可高达 11GHZ。QN 和标准 N 连接器不可相互匹配, 主要应用于移动基站。

QN series are quick-lock connectors that allow fast, which allows fast, easy and reliable connection in the tightest space. The QN connector is based on the n-type connector interface, and the frequency range can be up to 11GHz. QN and standard N connectors are not compatible, mainly used in mobile base stations.




### ◆ 部分产品型号外形参数 Partial Products Overall Specification

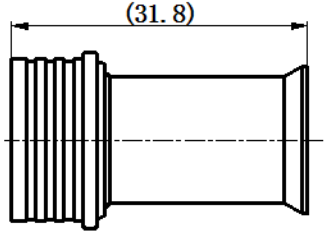
产品型号 Product No. QNF-C	适配电缆 Matched cable RG316		
016-1			
产品型号 Product No. QNF-F-D	适配电缆 Matched cable -		
016-2			
产品型号 Product No. QNM-C	适配电缆 Matched cable LMR400		
016-3			
产品型号 Product No. QNM-C	适配电缆 Matched cable RG316		
016-4			

# 射频同轴连接器

## RF Coaxial Connector

产品型号	适配电缆
Product No.	Matched cable
QNM-H	YD9

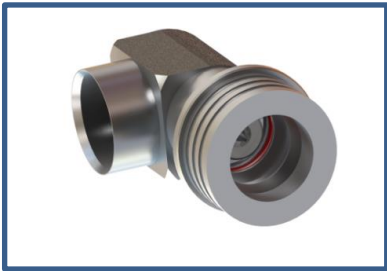


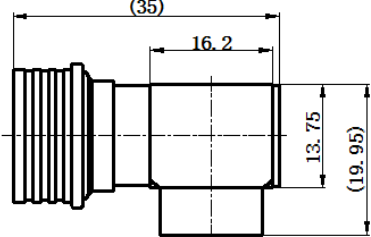


(31.8)

016-5

产品型号	适配电缆
Product No.	Matched cable
QNM-R-H	YD9





(35)  
16.2  
13.75  
(19.95)

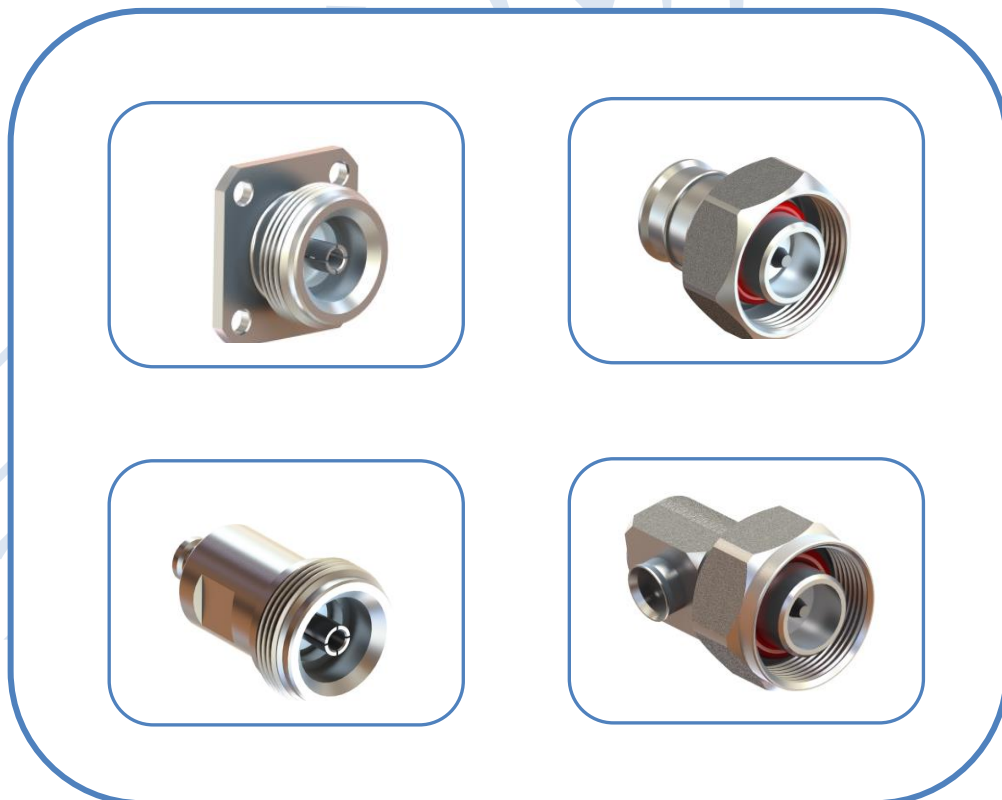
016-6

### 4195 系列射频同轴连接器


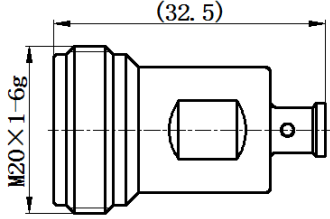
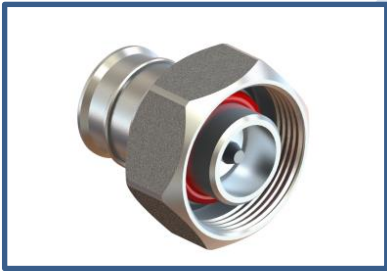
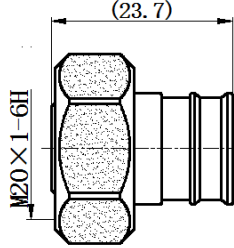
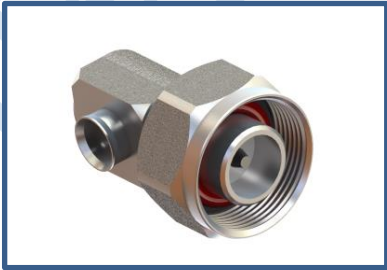
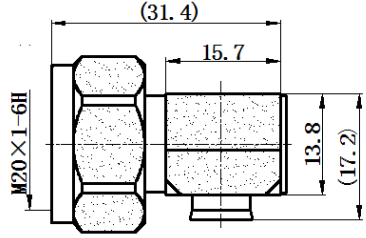

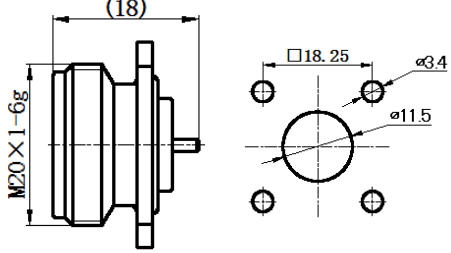
#### SERIES 4195 RF. COAXIAL CONNECTORS

4195 系列连接器是一种带产品规格尺寸在 7-16 型和 N 型之间，使用功率规格介于 7-16 系列和 N 系列之间，继承了 7-16 系列连接器的优异的 IMD 性能，以及高的可靠性。

The 4195 series of connectors are available in sizes between 7-16 and N-type, with power specifications between 7-16 and N-series. The 4195 series of connectors inherit the 7-16 series of excellent IMD performance, as well as high reliability.



### ◆ 部分产品型号外形参数 Partial Products Overall Specification

产品型号 Product No.	适配电缆 Matched cable		
4195F-H	RG141		
063-01			
产品型号 Product No.	适配电缆 Matched cable		
4195M-H	YD9		
063-02			
产品型号 Product No.	适配电缆 Matched cable		
4195M-R-H	YD5		
063-03			
产品型号 Product No.	适配电缆 Matched cable		
4195F-F-D	-		
063-04			

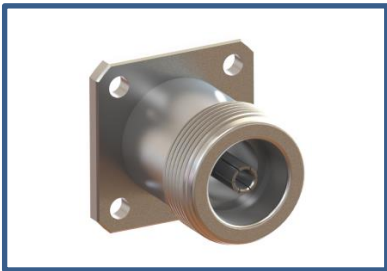
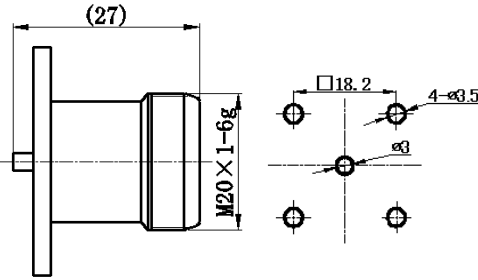
### Q4195 系列射频同轴连接器

#### SERIES Q4195 RF. COAXIAL CONNECTORS

Q4195 系列射频同轴连接器是由我司主导制定的国际标准（IEC61169-61），具备快速锁紧和螺纹连接的双重性，其插孔射频同轴连接器兼容（IEC60169-11）4.1-9.5 型插针射频同轴连接器。具有中大功率容量、低反射、低互调、体积小重量轻、性能优良、低消耗、耐环境可靠和安装维护便捷的特点。适用于恶劣环境下的射频微波通讯设备及仪器的高密度安装和快速互连互接。

Q4195 Series RF coaxial connector is an international standard (IEC61169-61) developed by our company. It has the duality of fast locking and threaded connection, its jack RF coaxial connector is also compatible (IEC60169-11) 4.1-9.5 pin RF coaxial connection Adapter. It has the characteristics of medium power capacity, low reflection, low intermodulation, small size, light weight, excellent performance, low consumption, reliable environmental resistance and convenient installation and maintenance. It is suitable for high-density installation and fast interconnection of RF and microwave communication equipment and instruments in harsh environment.

产品型号	适配电缆		
Product No.	Matched cable		
Q4195M-H	YD9		
Q4195-01			

产品型号	适配电缆		
Product No.	Matched cable		
Q4195-F-D	-		
Q4195-02			


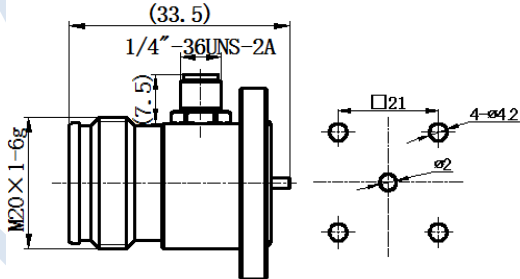
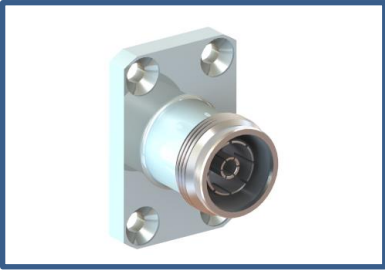
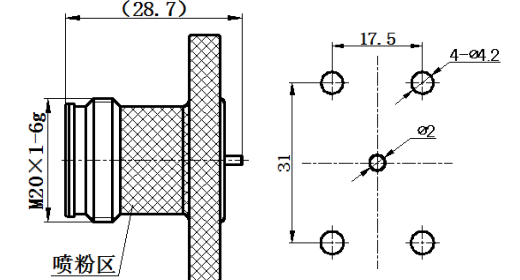

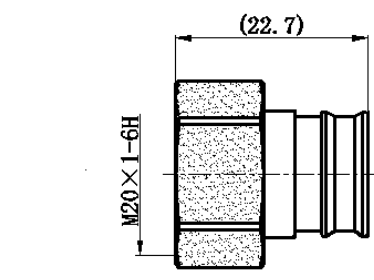
### 4310 系列射频同轴连接器

#### SERIES 4310 RF. COAXIAL CONNECTORS

4310 系列射频同轴连接器相比 7-16 型连接器有更小、更轻的结构特点，能提供更低的互调性能。它的连接扭力更小，安装便捷。广泛应用于基站，分布式天线系统，室内基站天线设备等。

Series 4310 RF coaxial connectors are smaller and lighter than Type 7-16 connectors, providing lower intermodulation performance. It has less connection torque and is easy to install. Widely used in base station, distributed antenna system, indoor base station antenna equipment, etc.

#### ◆ 部分产品型号外形参数 Partial Products Overall Specification

产品型号 Product No.	适配电缆 Matched cable		
4310/SMA 耦合器	-		
073/017-09			
4310F-F-D	-		
073-10			
4310M-H	YD9		
073-11			



### S7-16 系列射频同轴连接器

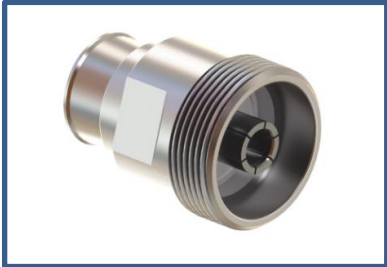
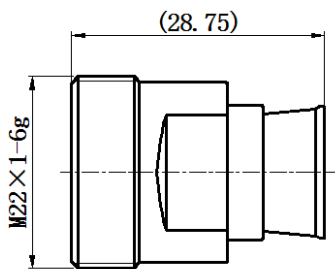

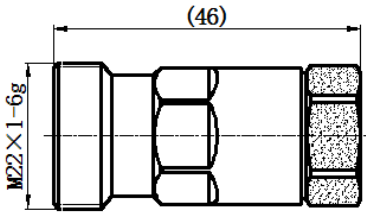
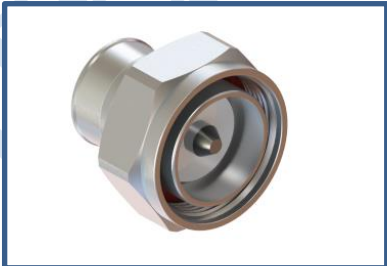
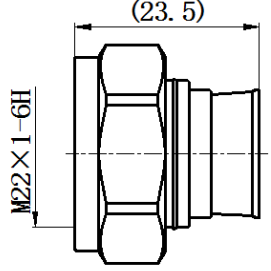

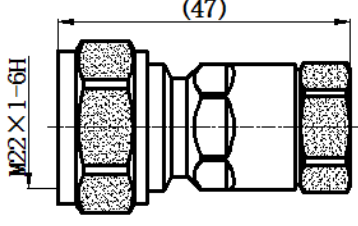
#### SERIES S7-16 RF. COAXIAL CONNECTORS

S7-16 型射频同轴连接器是由我司起草制定的国际标准（IEC61169-53），S7-16 型连接器拥有小型化的尺寸和优异的性能，其继承了7/16 型可靠的结构和稳定的性能，适用于类似无线通讯基站的大功率、户外应用。独特的结构设计保证了信号传输的低互调和低衰减。

S7-16 RF coaxial connector is an international standard drafted by our company (IEC61169-53), S7-16-type connector has a compact size and excellent performance, which inherited the S7/16 type product's reliable structure and stable performance, applicable to such high-power outdoor applications as wireless communication base station. The unique structural design ensures low intermodulation and low attenuation in signal transmission.



### ◆ 部分产品型号外形参数 Partial Products Overall Specification

产品型号 Product No. S7-16F-H	适配电缆 Matched cable YD9		
071-01			
产品型号 Product No. S7-16F	适配电缆 Matched cable YD9		
071-02			
产品型号 Product No. S7-16M-H	适配电缆 Matched cable YD12		
071-03			
产品型号 Product No. S7-16M	适配电缆 Matched cable YD12		
071-04			

### 7-16 系列射频同轴连接器


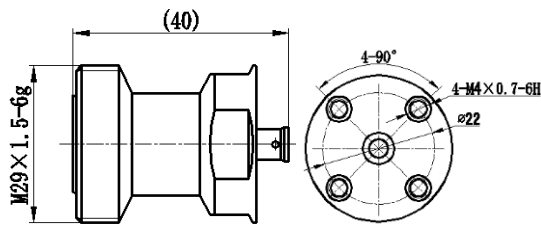

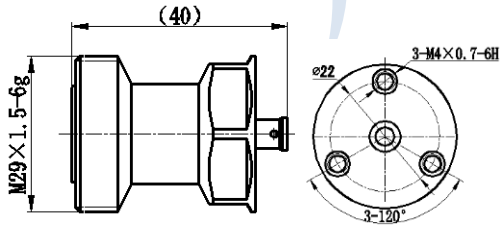

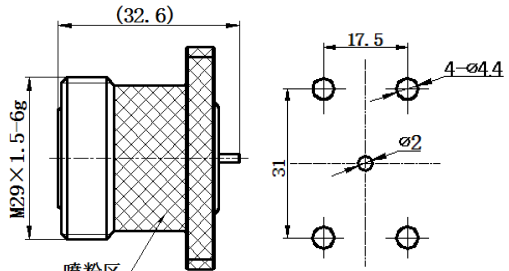
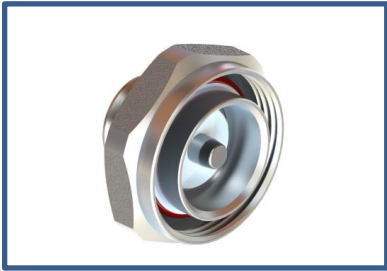
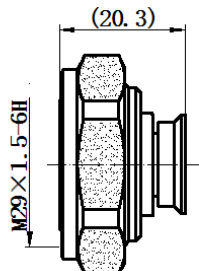
#### SERIES 7-16 RF. COAXIAL CONNECTORS

7-16 型是一种结构可靠且性能稳定的连接器，一般具有防水性能和螺纹锁紧结构，适用于类似无线通信的大功率、户外应用，其结构可以保证信号传输的低互调低衰减。

Type 7-16 is a connector with reliable structure and stable performance. It generally has waterproof performance and thread locking structure. It is suitable for high-power and outdoor applications similar to wireless communication and low attenuation of signal transmission.



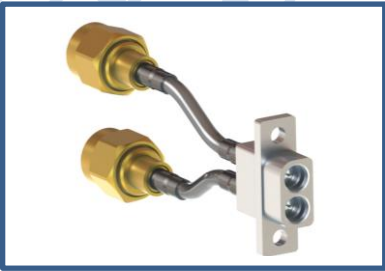
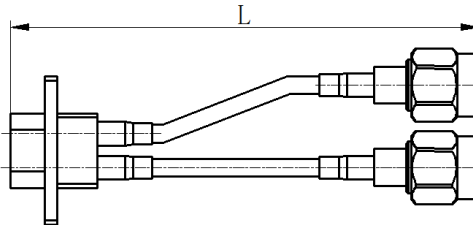

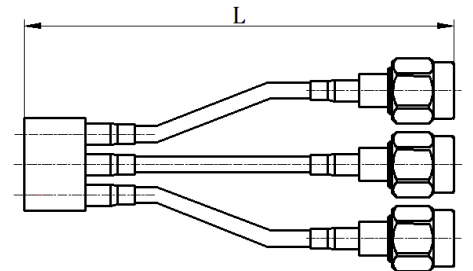
### ◆ 部分产品型号外形参数 Partial Products Overall Specification

产品型号 Product No.	适配电缆 Matched cable		
DF-H	RG141		
001-08			
产品型号 Product No.	适配电缆 Matched cable		
DF-H	RG141		
001-09			
产品型号 Product No.	适配电缆 Matched cable		
DF-F-D	-		
001-10			
产品型号 Product No.	适配电缆 Matched cable		
DM-H	YD9		
001-11			

## 多通道电缆组件 Multi-channel cable assembly

多通道连接器可传输多路微波信号、结构尺寸相对较小，该连接器可通过一次连接实现多路信号的连接，它具有抗冲击能力强、可靠性高、耐环境性好、机械电气性能优良的特点。2 芯、3 芯组件主要用于军工微波通信，4 芯、5 芯主要用于基站。其中 L33 为我司专利产品，结构在 L32 基础上进行优化具有稳定互调的特点。

The multi-channel connector can transmit multi-channel microwave signals with relatively small structure size. The connector can realize the connection of multi-channel signals through one connection. It has characteristics of strong impact resistance, high reliability, good environmental resistance and excellent mechanical and electrical performance. 2-core and 3-core components are mainly used for military microwave communication, 4-core and 5-core components are mainly used for base stations. L33 is a patented product of our company, and its structure is optimized on the basis of L32 with the characteristics of high intermodulation.

<table border="1"> <thead> <tr> <th>产品型号</th> <th>适配电缆</th> </tr> <tr> <th>Product No.</th> <th>Matched cable</th> </tr> </thead> <tbody> <tr> <td>027M-017M</td> <td>FM108A</td> </tr> </tbody> </table> <p>027-13</p>	产品型号	适配电缆	Product No.	Matched cable	027M-017M	FM108A		
产品型号	适配电缆							
Product No.	Matched cable							
027M-017M	FM108A							
<table border="1"> <thead> <tr> <th>产品型号</th> <th>适配电缆</th> </tr> <tr> <th>Product No.</th> <th>Matched cable</th> </tr> </thead> <tbody> <tr> <td>039MS-017M</td> <td>FM108A</td> </tr> </tbody> </table> <p>039-1</p>	产品型号	适配电缆	Product No.	Matched cable	039MS-017M	FM108A		
产品型号	适配电缆							
Product No.	Matched cable							
039MS-017M	FM108A							

# L32

## ◆ 部分产品型号外形参数 Partial Products Overall Specification

产品型号	适配电缆
Product No.	Matched cable
L32M-F-H	RG402





074-1

产品型号	适配电缆
Product No.	Matched cable
L32M-F-H	RG402





074-2

# L33

### ◆ 部分产品型号外形参数 Partial Products Overall Specification

产品型号	适配电缆
Product No.	Matched cable
L33M-F-H	RG402





L33-1

产品型号	适配电缆
Product No.	Matched cable
L33F-H	YD5





L33-2

产品型号	适配电缆
Product No.	Matched cable
L33M-F-H	RG402





L33-3

产品型号	适配电缆
Product No.	Matched cable
L33F-H	YD5





L33-4

# MQ 电缆组件 MQ cable assembly

### ◆ 部分产品型号外形参数 Partial Products Overall Specification

产品型号 Product No.	适配电缆 Matched cable
MQ4F-H	YD5




077-1

产品型号 Product No.	适配电缆 Matched cable
MQ4M-H	RG402




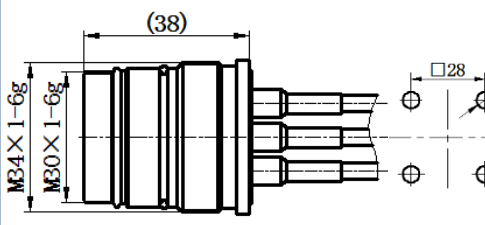

077-2

产品型号 Product No.	适配电缆 Matched cable
MQ5F-H	YD5




078-1

产品型号 Product No.	适配电缆 Matched cable
MQ5M-H	RG402

078-2


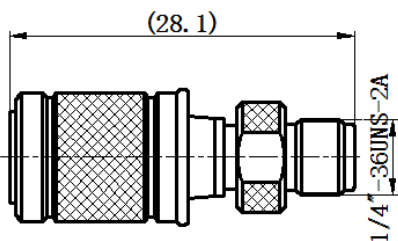

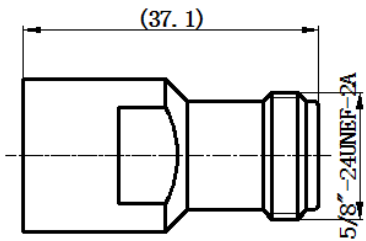

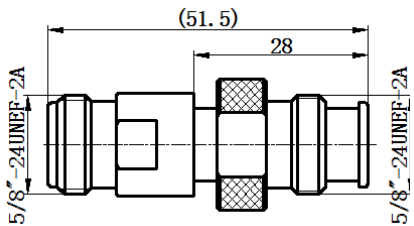


## 快插类连接器 Fast Plug Connectors

我司自主研发的快插类连接器采用公头弹性结构来实现 7-16、4310 等连接器的快速插拔。快插类连接器有推入式和自锁式两种，具有使用精密、耐用、连接快速可靠的特点，主要应用于测试领域。

The fast plug connector developed by our company adopts male elastic structure to realize fast plug and pull of connectors 7-16, 4310 and so on. Fast plug connector has two kinds of push-in and self-locking, with precision, durable, fast and reliable connection characteristics, mainly used in the testing field.

### ◆ 部分产品型号外形参数 Partial Products Overall Specification

产品型号 Product No.	适配电缆 Matched cable		
SMAF/SMAM	-		
017/017-45			
NF/NM	-		
002/002-12			
NF/NF	-		
002/002-13			

# 射频同轴连接器

## RF Coaxial Connector

产品型号	适配电缆		
Product No.	Matched cable		
4310M/NF	-		


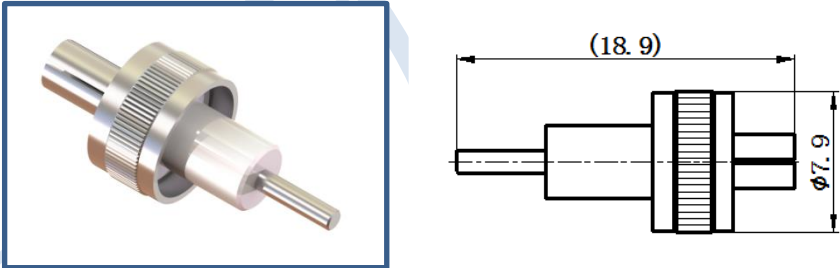
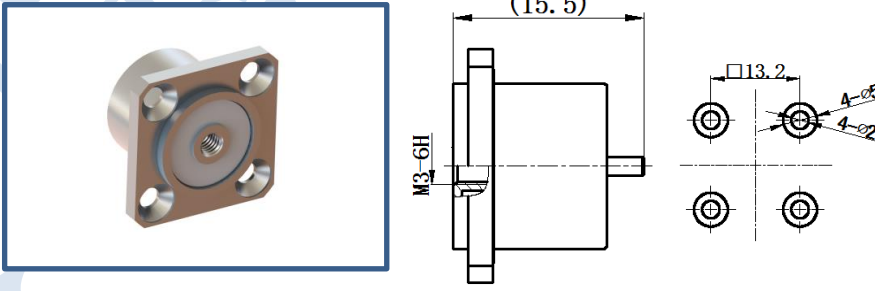
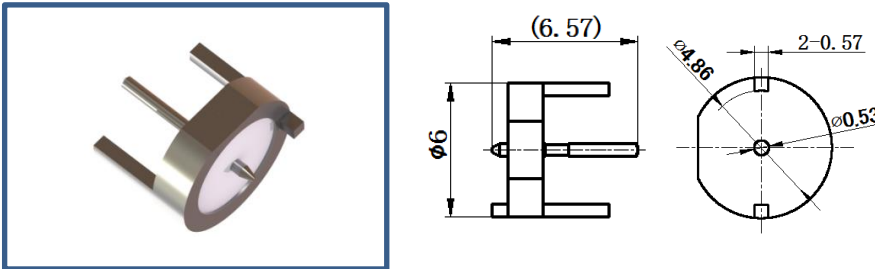
073/002-12

产品型号	适配电缆		
Product No.	Matched cable		
7-16M/NF	-		

001/002-12

## 结构连接器 Structural Connectors

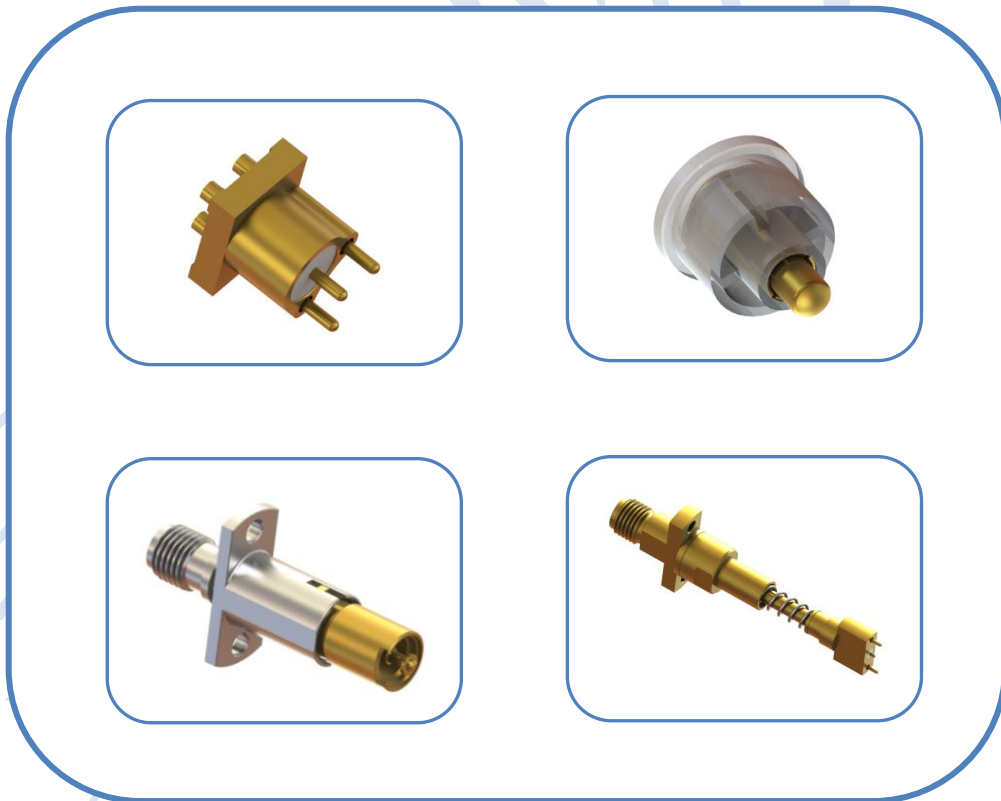
### ◆ 部分产品型号外形参数 Partial Products Overall Specification

产品型号 Product No.	适配电缆 Matched cable	连接结构
058-1	-	
058-2	-	
058-3	-	
058-4	-	

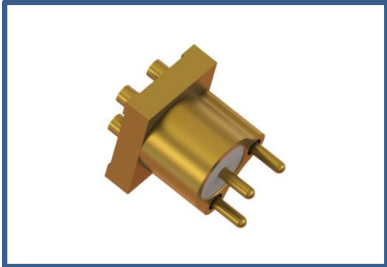
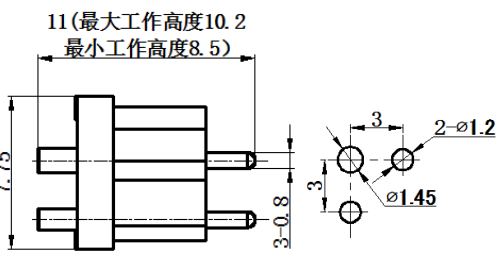

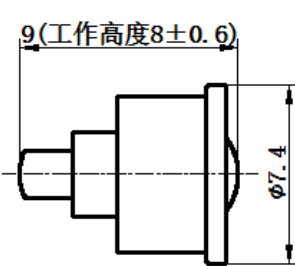

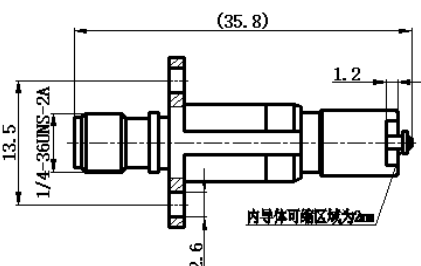
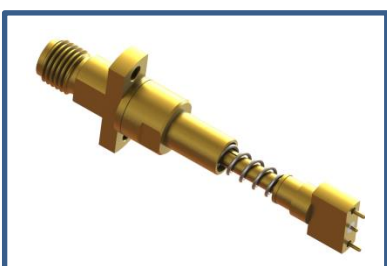
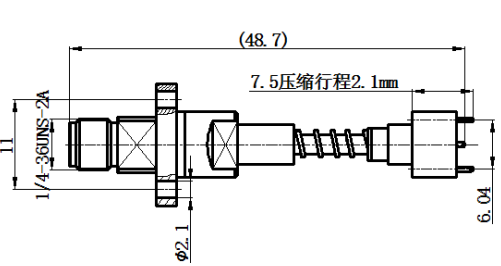
## Pogo Pin

Pogo pin 连接器也称为：弹簧针连接器、探针式连接器等；其内导体内部是由针轴、弹簧、针管组成的一个精密的弹簧结构。它的表面镀层一般为镀金，可以更好的提高它的防腐蚀性能、机械性能、电气性能等。

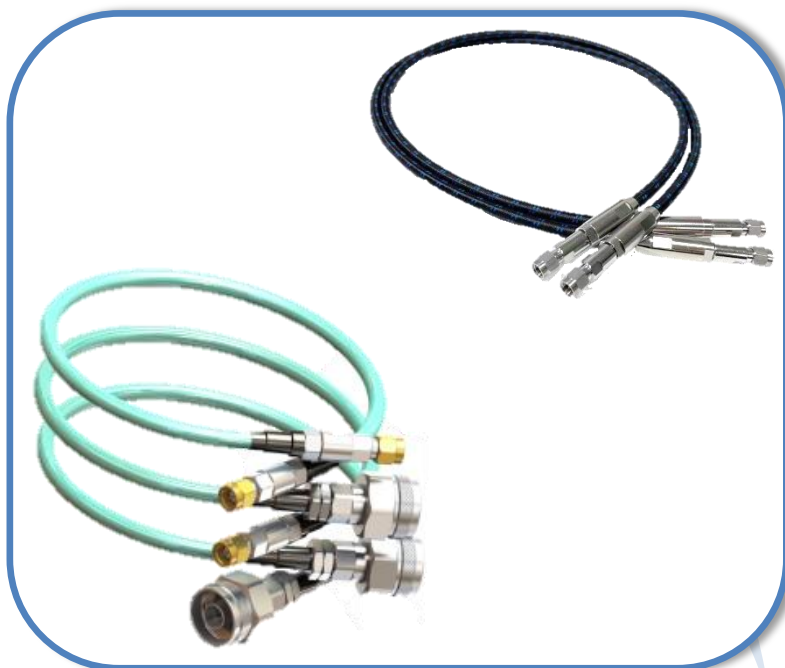
Pogo pin connector is also known as spring pin connector, probe connector, etc. Its inner conductor is a precise spring structure composed of needle shaft, spring and needle tube. Its surface coating is generally gold plating, which can better improve its anti-corrosion performance, mechanical performance, electrical performance and so on.



### ◆ 部分产品型号外形参数 Partial Products Overall Specification

产品型号 Product No.	适配电缆 Matched cable		
Pogo pin	-		
060-01			
产品型号 Product No.	适配电缆 Matched cable		
Pogo pin	-		
060-02			
产品型号 Product No.	适配电缆 Matched cable		
Pogo pin/SMA	-		
060/017-03			
产品型号 Product No.	适配电缆 Matched cable		
Pogo pin/SMA	-		
060/017-04			

## 测试级电缆组件 Test Class Cable Assembly


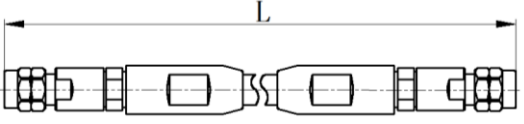

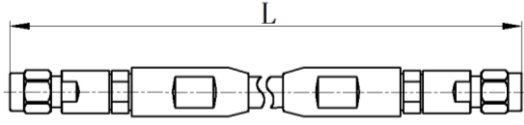

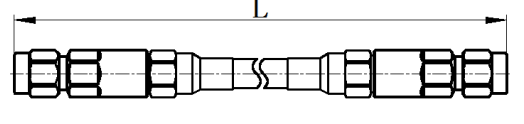

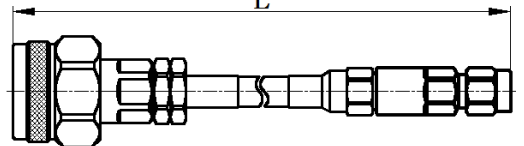


测试级电缆组件具有频带宽、高频性能好、损耗低、可靠性高的特点，坚固耐用、卓越的阻抗、耐磨损、耐腐蚀拥有更长的使用寿命是专门为微波测试测量领域而设计。

The test grade cable assembly has the characteristics of wide frequency band, good high frequency performance, low loss, high reliability, rugged, excellent impedance, wear resistance, corrosion resistance and longer service life is specially designed for the field of microwave test of microwave test and measurement.

电气性能	Electrical Data	
频率	Frequency	DC-40GHz;
驻波	VSWR	≤1.20 @DC-18GHz; ≤1.25 @DC-26.5GHz; ≤1.30 @DC-40GHz;
阻抗	Impedance	50Ω
物理及机械特性	Physical & Mechanical Specifications	
长度	Length	可定制任意长度 Custom Available
连接器插拔次数	Mating Life Cycle	≥500
工作温度	Work Temperature	-40℃ - +85℃
储存温度	Storage Temperature	-35℃ - +45℃


### ◆ 部分产品型号外形参数 Partial Products Overall Specification

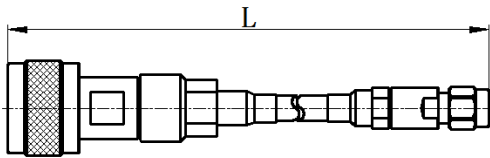
产品型号 Product No. 2.4M-2.4M	适配电缆 Matched cable 3507/3506		
064-4			
产品型号 Product No. 2.92M-2.92M	适配电缆 Matched cable 3507/3506		
065-4			
产品型号 Product No. SMAM-SMAM	适配电缆 Matched cable 210		
017-46			
产品型号 Product No. NM-SMAM	适配电缆 Matched cable 210		
002-14			

# 射频同轴连接器

## RF Coaxial Connector

产品型号	适配电缆
Product No.	Matched cable
NM-SMAM	RG142





002-15

产品型号	适配电缆
Product No.	Matched cable
NM-NM	RG142





002-16


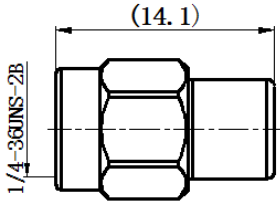
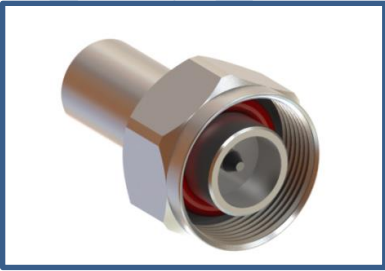
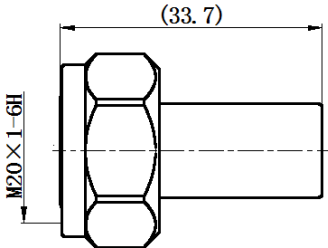
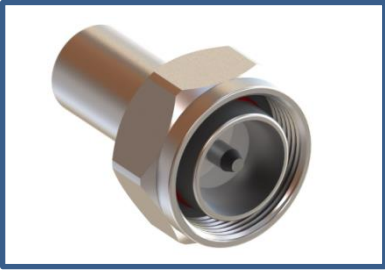
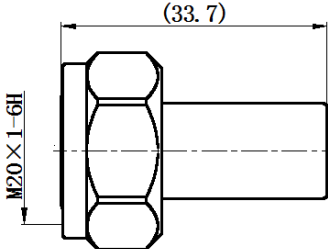


## 负载 Load

本公司研制生产的同轴终端负载有 SMA 型、4310 型等型号。特性阻抗为  $50\ \Omega$ ，它具有频带宽、驻波低、功率大、体积小等特点，主要用于各类微波测试领域。

The company developed and produced coaxial load SMA, 4310 and other models. Characteristic impedance is  $50\ \Omega$ , it has the characteristics of wide frequency band, low standing wave, large power, small volume, mainly used in various microwave testing fields.

### ◆ 部分产品型号外形参数 Partial Products Overall Specification

产品型号 Product No.	适配电缆 Matched cable		
SMAM-CL	-(10W、20W)		
017-47			
4195M-CL	-(200W)		
063-5			
4310M-CL	-(200W)		
073-13			

---

# 连接有我 沟通无限

Infinite Communication And Link Between You And Me

欢迎关注和选用，我们将竭诚为您服务！

Thank you for your attention and selection. We will serve you wholeheartedly!



江苏吴通物联科技有限公司

Jiangsu Wutong Interconnect Technology Co., Ltd.

---

苏州市相城经济开发区漕湖街道太东路 2596 号

2596 Tai dong Road, Cao hu Street, Xiang cheng

Economic Development Zone, Suzhou

电话: 0512-83952295 传真: 0512-65461778

Tel: 0512-83952295 Fax: 0512-65461778

邮编: 215143

Zip code: 215143

邮箱: wt@cnwutong.com

E-mail: wt@cnwutong.com

网址: www.cnwutong.com

Http:// www.cnwutong.com